

TANKER | CEILING FAN

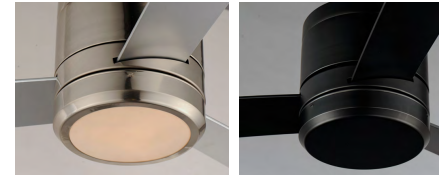
88805 | 88806 | 88816

- Rated for both Indoor and Outdoor Applications
- *88816 uses DC Motor to meet Energy Star Rating

Job Name : _____
 Job Type : _____
 Quantity : _____
 Comments : _____



BLADE FINISHES



SN w/Silver

BK w/Black

INCLUDED CONTROLS

FCT88805WT



3-Speed Fan Control
 Included with:
 88805 & 88807

FCT88801WT



AC Wall Control Light and Fan Speed On/Off Rocker Switch for Light Switch
 Included with:
 88801, 88802, 88806

FCT88816WT



DC Wall Remote Light and Fan Speed Control Non-Dimming
 Included with:
 88816

OPTIONAL CONTROLS *Sold Separately

FCT8881WT



AC Wall Control, Light Dimming and Fan Control
 Compatible with:
 88801, 88802, 88806, 89909

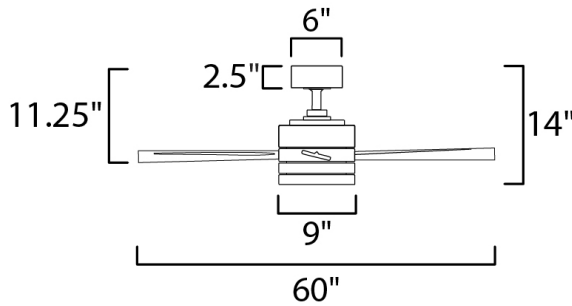
FCTHAND



Universal Wall Remote. Compatible with All Fans (Excl. Fandelights)

PRODUCT DESCRIPTION

Clean and contemporary, the Tanker ceiling fan is damp rated so whether it is a covered outdoor living space or any room indoor this sleek fan suits the application. Ditch the fan rod and convert to a hugger. Several lengths of extension rods allow you to use this fan no matter the ceiling height. Available in 2 different finishes: Satin Nickel, and matte Black.



FINISHES:

BLACK (BK) w Black Blades

SATIN NICKEL (SN) w SILVER Blades

MATERIAL

Steel + Aluminum Body
 ABS Blades

RATINGS

cETLus
 Damp Location
 *Energy Star (*88816 Only)



OPTIONAL DOWN RODS

Available in SN & BK in below sizes:

- 12" (FRD12XX-MA)
- 18" (FRD18XX-MA)
- 24" (FRD24XX-MA)
- 30" (FRD30XX-MA)
- 36" (FRD36XX-MA)

*XX Represents two letter finish code

ADDITIONAL:

RATED LIFE: 50,000 Hours
 OPERATING TEMP:
 -20°C (-4°F), 40°C (104°F)

ITEM#	LAMPING	DIMENSIONS	LUMENS RATED DEL	WEIGHT	BLADES	BLADE PTICH	ADDITIONAL
88805	120V, No Light Kit	D52" X 14.52"H		11.62 lb	3 x ABS (Included)	12	
88806	120V 1 X 24W LED 3000K	D52" X 14.52"H	2100 1680	11.62 lb	3 x ABS (Included)	12	
*88816	120V 1 X 24W LED 3000K	D52" X 14.52"H	2100 1680	11.62 lb	3 x ABS (Included)	12	DC Motor, Energy Star

Energy Information at High Speeds		
AIRFLOW CFM	AIRFLOW EFFICIENCY	ELECTRICITY USE
4700 CFM	97 CFM / W	48W
4700 CFM	97 CFM / W	48W
4700 CFM	333 CFM / W	13W

ENERGYGUIDE

Estimated
Yearly Energy Cost

\$6

Cost Range of Similar Models (19" - 84")
• Based on 12 cents per kWh and 6.4 hours use per day
 • Your cost depends on rates and use
 • Energy Use: 48 Watts

Airflow
4700

Cubic Feet Per Minute

• The higher the airflow, the more air the fan will move

All estimates based on typical use, excluding lights. ftc.gov/energy

Always consult a qualified electrician before installing any lighting product.



WESTERN DISTRIBUTION CENTER (HEADQUARTER)
 253 NORTH VINELAND AVE | CITY OF INDUSTRY, CA 91746

EASTERN DISTRIBUTION CENTER
 101 GARDNER PARK | PEACHTREE CITY, GA 30269

P. 626.956.4200 | F. 626.956.4225 | maximlighting.com

CONTROLS

Easily adjust the speed and direction of your fan with a wall control.
Adjust color temperature using a color tunable fan and wall control.



FCT88801WT
AC Wall Control
Light and Fan Speed Controls
On/Off Rocker Switch for Light

Included with:
88801, 88802, 88806



FCT88816WT
DC Wall Remote
Light and Fan Speed Control
Non-Dimming

Included with:
88816



FCT88805WT
Fan Control Only
Three Speed Fan Control

Included with:
88805 & 88807

OPTIONAL



FCT8881WT
AC Wall Control
Light Dimming and Fan Control
*Sold Separately

Compatible with:
88801, 88802, 88806, 89909



FCTHAND
Universal AC Wall Remote
*Sold Separately

Compatible with All Fans
(Excl. Fandelights)

FANDELIGHT™



FCT 6000WT
FANDELIGHT™ Wall Remote
Magnetically Connect to Wall Plate
Light Dimming
Battery Operated

Compatible with:
60002, 61004, 61009, 61013,
61016, 61018



FCT 6100WT
FANDELIGHT™ Wall Remote
Magnetically Connect to Wall Plate
Light Dimming
Battery Operated
*CCT tuning on select SKU's

Compatible with:
61002, 61006, 61010, 61012,
61014, 61019