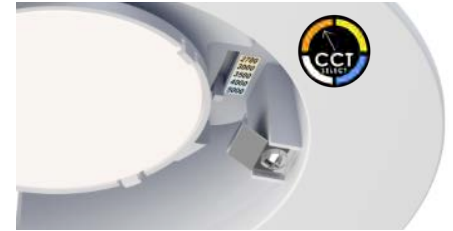


CRISP | SURFACE MOUNT LED

87661 / 87663 / 87664 / 87665 / 87674

- Surface MT Install, Recessed appearance • Patent Pending
- Dimmable 3000K or 5CCT Select models
- Accessible CCT Select toggle on surface
- Mount on 4" octagonal or remodel junction box, Min 1.5" Depth
- Suitable for use in closets when installed in accordance to NEC@Section 410.16 (A)(1) and 410.16 (C)(1)
- High-powered LED output creates brighter shine
- 1000 Lumens Delivered
- For Residential Use

Job Name : _____
 Job Type : _____
 Quantity : _____
 Comments : _____



MSC8766 Mud-in Ring



87664WTBK, WT / 87665WT

87674WT, WTBK



87661BK, WT

87663WT, BK

PRODUCT DESCRIPTION

High performance and high in style, the Crisp is constructed like a surface mount that can install into a variety of 4-0 junction boxes while designed with a recessed appearance. The fixtures almost impossibly slopes into the junction boxes with snap in trims in a variety of styles. Purchase the mud-in ring assembly kit and you can opt for a trim-less design. Not only good-looking, each unit also delivers over 1000 lumens providing ample lighting. With its concave design, the light source is obscured from the finished ceiling surface thereby reducing glare. Available in warm 3000K single CCT or 5CCT selectable with an accessible switch behind the faceplate so you can set your preferred light temperature without removing the light from the junction box..

FINISHES OPTION

- White (WT)
- Black (BK)
- White/Black (WTBK)

GLASS

White WT

MATERIAL

Die Cast Aluminum, Steel, Acrylic

RATINGS

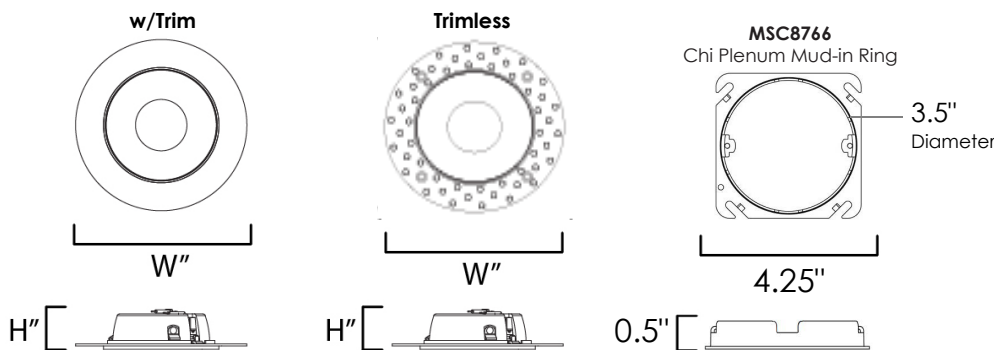
cETLus
 Wet Location
 CA Title 24/JA8



ADDITIONAL

RATED LIFE 50000 Hours
 OPERATING TEMPERATURE:
 -20°C (-4°F), 40°C (104°F)

PHOTOMETRIC: Report Found Online



MEASUREMENTS

MODEL	DIMENSION
87661	RD 3.75"W x 1.25"H
87663	RD 3.75"W x 1.25"H
87664	RD 5"W x 1.5"H
87665	RD 5"W x 1.5"H
87674	SQ 5"W x 1.5"H
MSC8766	SQ 4.25"W x 0.5"H

LAMPING

BULB TYPE	COL TEMP.	LUMENS DEL.	DIMMABLE	INPUT	CRI
12W AC Integrated LED	3000K	1000	Triac CL	120V	90
12W AC Integrated LED	27-30-35-40-50K	1000	Triac CL	120V	90
12W AC Integrated LED	3000K	1000	Triac CL	120V	90
12W AC Integrated LED	27-30-35-40-50K	1000	Triac CL	120V	90
12W AC Integrated LED	3000K	1000	Triac CL	120V	90

COL TEMP.	LUMENS DEL.	DIMMABLE	INPUT	CRI
3000K	1000	Triac CL	120V	90
27-30-35-40-50K	1000	Triac CL	120V	90
3000K	1000	Triac CL	120V	90
27-30-35-40-50K	1000	Triac CL	120V	90
3000K	1000	Triac CL	120V	90

Always consult a qualified electrician before installing any lighting product.



WESTERN DISTRIBUTION CENTER (HEADQUARTER)
 253 NORTH VINELAND AVE | CITY OF INDUSTRY, CA 91746

EASTERN DISTRIBUTION CENTER
 101 GARDNER PARK | PEACHTREE CITY, GA 30269

P. 626.956.4200 | F. 626.956.4225 | maximlighting.com