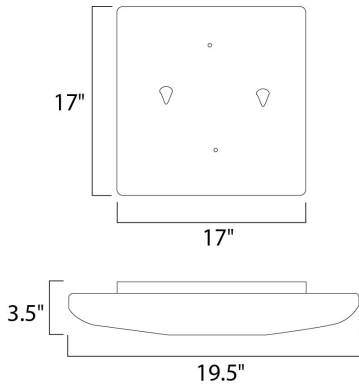




PRODUCT DESCRIPTION

Maxim Lighting's slim 2.5" profile Energy Star Certified Low Profile EE Collection uses energy saving T9 Circline bulbs, mountable on the ceiling or wall, with features including electronic no flicker ballasts, 3100 K color temperature, rated life of 10,000 hours, and UV rated acrylic.



MEASUREMENTS

DIMENSION : 19.5" L x 19.5" W x 3.5" H
 MAX OAH : 17" W x 17" H
 HANGING WEIGHT : 5.8 lb

LAMPING

INPUT VOLTAGE : 120V
 LUMENS : 4,750 Rated
 BULB : 2 x 32+40W Fluorescent 4-Pin T9 Circline , 72W Total
 BULB INCLUDED : (Included)
 DIMMABLE : No
 COLOR_TEMP : 3100K

FINISHES OPTION

 White (WT)

GLASS

White WT

MATERIAL

Acrylic, Steel

RATINGS

cULus
 Damp Location
 CA Title 24



ADDITIONAL

INCANDESCENT WATTS: 432
 RATED LIFE 15000+18000 Hours
 OPERATING TEMPERATURE:
 -20°C (-4°F), 40°C (104°F)

Always consult a qualified electrician before installing any lighting product.



WESTERN DISTRIBUTION CENTER (HEADQUARTER)
 253 NORTH VINELAND AVE | CITY OF INDUSTRY, CA 91746

EASTERN DISTRIBUTION CENTER
 101 GARDNER PARK | PEACHTREE CITY, GA 30269

P. 626.956.4200 | F. 626.956.4225 | maximlighting.com