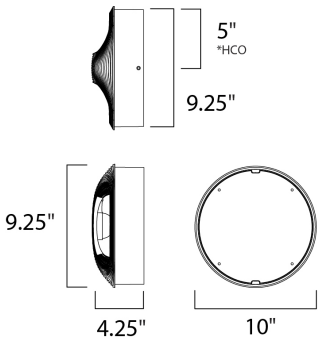




**PRODUCT DESCRIPTION**

Suitable for both Indoor and Outdoor applications, the Influx series features a step detail that pulses out from the center of the Die Cast Aluminum structure. Bright rays of LED light create a shadow effect that is projected onto either the wall or ceiling, accentuating the lamp's unique form.



\*height of fixture from top of fixture to center of the outlet

**MEASUREMENTS**

DIMENSION : 10" W x 10" H x 4.25" Ext  
 BACK PLATE : 9.25" W x 4.25" H x 5" HCO  
 CANOPY : 9.25" W x 4.25" H x 9.25" L  
 HANGING WEIGHT : 4.73 lb

**LAMPING**

INPUT VOLTAGE : 120V  
 LUMENS : 770 Rated  
 BULB : 1 x 11W LED AC Integrated , 11W Total  
 BULB INCLUDED : (Integrated)  
 DIMMABLE : No  
 CRI : 90+ CRI  
 COLOR\_TEMP : 3000K

**FINISHES OPTION**

 White (WT)

**MATERIAL**

Die Cast Aluminum

**RATINGS**

cETLus  
 Wet Location



**ADDITIONAL**

INSTALL UP/DOWN: Any  
 OPERATING TEMPERATURE:  
 -20°C (-4°F), 40°C (104°F)

Always consult a qualified electrician before installing any lighting product.



WESTERN DISTRIBUTION CENTER (HEADQUARTER)  
 253 NORTH VINELAND AVE | CITY OF INDUSTRY, CA 91746

EASTERN DISTRIBUTION CENTER  
 101 GARDNER PARK | PEACHTREE CITY, GA 30269

P. 626.956.4200 | F. 626.956.4225 | maximlighting.com