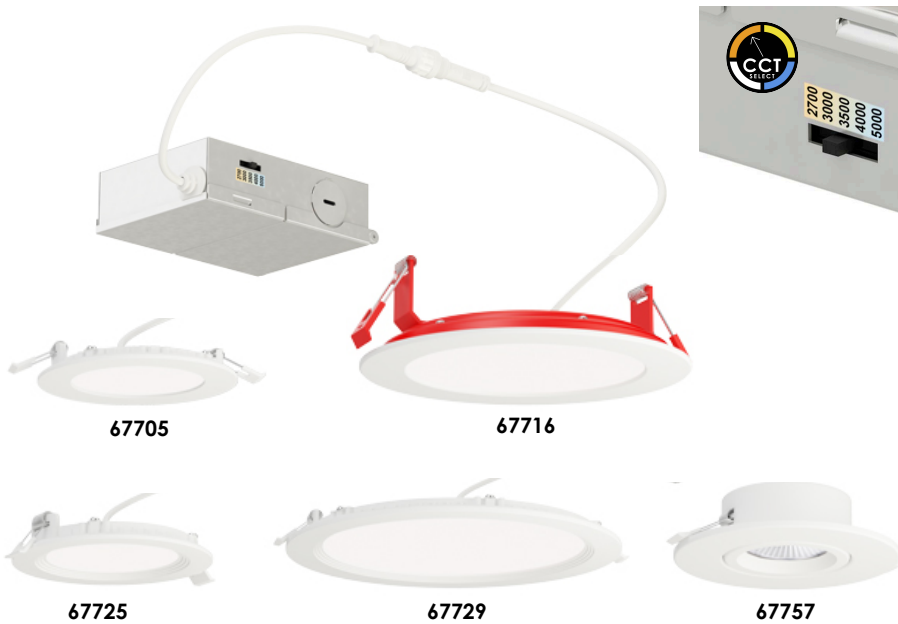


# SLIM | SURFACE MOUNT LED

67705 / 67707 / 67725 / 67727 / 67729 / 67714 / 67716 /  
67755 / 67757 / TRM67704 / TRM67706 / MSC6770AL

Job Name : \_\_\_\_\_  
Job Type : \_\_\_\_\_  
Quantity : \_\_\_\_\_  
Comments : \_\_\_\_\_



## ACCESSORIES

SLIM TRIM RING



7" TRM67706NAB/BK/SN

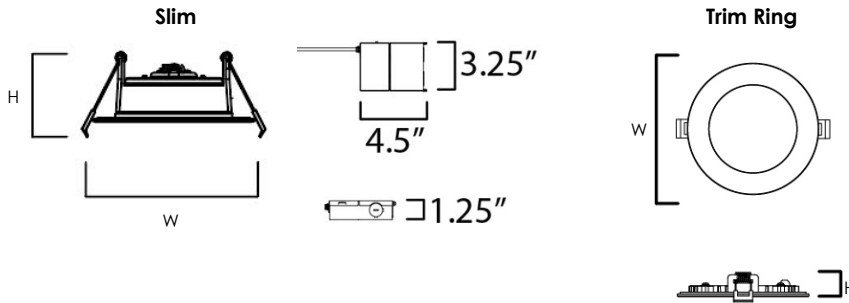


5" TRM67704BK/SN/NAB



MSC6770AL

Slim Mounting Bracket



## FINISHES OPTION

White (WT)

## GLASS

White WT

## MATERIAL

Steel, Aluminum

## RATINGS

cETLus  
Wet Location  
CA Title 24



## ADDITIONAL

INSTALL UP/DOWN: Up  
RATED LIFE 50000 Hours  
OPERATING TEMPERATURE:  
-20°C (-4°F), 40°C (104°F)

## MEASUREMENTS

MODEL	DIMENSION
67705	4.75"W x 1"H
67707	6.75"W x 1"H
67725	4.75"W x 1"H
67727	6.75"W x 1"H
67729	9"W x 1"H
67714	5"W x 2.5"H
67716	7"W x 2.5"H
67755	3.75"W x 1.75"H
67757	5.25"W x 1.5"H
TRM67704	5"W x 0.35"H
TRM67706	7"W x 0.35"H
MSC6770AL	14.5"W x 1.75"H

## LAMPING

BULB TYPE
10W DC Integrated LED
12W DC Integrated LED
10W DC Integrated LED
12W DC Integrated LED
18W DC Integrated LED
9W DC Integrated LED
15W DC Integrated LED
7W DC Integrated LED
9W DC Integrated LED

## COL TEMP.

27-30-35-40-50K
27-30-35-40-50K
27-30-35-40-50K
27-30-35-40-50K
27-30-35-40-50K
27-30-35-40-50K
27-30-35-40-50K
27-30-35-40-50K
27-30-35-40-50K
27-30-35-40-50K

## LUMENS

DEL.
750
900
750
900
1350
550
1200
550
700

## DIMMABLE

Triac CL
Triac CL
Triac CL
Triac CL
Triac CL
ELV & Triac CL
ELV & Triac CL
Triac CL
Triac CL

## INPUT

120V
120V
120V
120V
120V
120-277V
120-277V
120V
120V

## CRI

90
90
90
90
90
90
90
90
90

Always consult a qualified electrician before installing any lighting product.



WESTERN DISTRIBUTION CENTER (HEADQUARTER)  
253 NORTH VINELAND AVE | CITY OF INDUSTRY, CA 91746

EASTERN DISTRIBUTION CENTER  
101 GARDNER PARK | PEACHTREE CITY, GA 30269

P. 626.956.4200 | F. 626.956.4225 | maximlighting.com