

61009

- Includes One 8" Downrod
- Includes Remote Control
- Damp Location
- Title 20
- Color Tunable
- Wifi Enabled



Job Name : _____
 Job Type : _____
 Quantity : _____
 Comments : _____



FCT6100WT (Remote Control)



FANDELIGHT™
 Magnetically Connect to Wall Plate.
 Light Dimming.
 Battery Operated.
 *CCT tuning on select SKU's

PRODUCT DESCRIPTION

The Ambience collection will enhance your home with a perfect mix of form and function. A Wi-Fi enabled control is housed in the canopy that can be either operated by the remote provided or Smart Home apps without the use of a bridge.

- Always consult a qualified electrician before installing any lighting product
- Installation Requirements:
 Ceiling fan attaches to electrical junction box securely anchored and capable of withstanding at least 35 lbs

FINISHES OPTION



MATERIAL

Steel+ABS

RATINGS

cETLus
 Damp Location

INCLUDES

- Wall Mountable Remote Control
- 1 x 8" Downrod

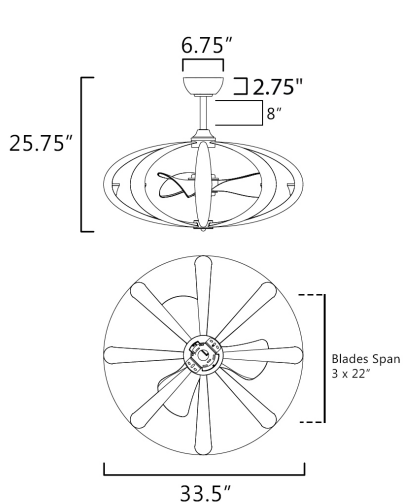
DOWNROD OPTIONS

- 18" (FRD0118BZ)
- 24" (FRD0124BZ)
- 30" (FRD0130BZ)
- 36" (FRD0136BZ)



ADDITIONAL

RATED LIFE: 35,000 Hours
 OPERATING TEMPERATURE: -20° C (-4°F), 40°C (104°F)
 LIGHTING DIRECTION: Up



MEASUREMENTS

DIMENSION : 33.5" D x 25.75" H
 BLADES : 3 x 22"
 MAX OAH : 25.75" OAH
 CANOPY : 6.75" W x 2.75" H x 6.75" L
 HANGING WEIGHT : 31.31 lb

LAMPING

INPUT VOLTAGE : 120V
 LUMENS : 4,800 Rated (3,600 Del.)
 BULB : 48W LED PCB Intergrated, 48W Total
 DIMMABLE : By Control Provided
 CRI : 80 CRI
 COLOR_TEMP : 3000K

ENERGY INFORMATION AT HIGH SPEED

AIRFLOW : 2600 CFM
 ELECTRICITY USE : 20W
 AIRFLOW EFFICIENCY : 130 CFM / W



WESTERN DISTRIBUTION CENTER (HEADQUARTER)
 253 NORTH VINELAND AVE | CITY OF INDUSTRY, CA 91746
EASTERN DISTRIBUTION CENTER
 101 GARDNER PARK | PEACHTREE CITY, GA 30269
 P. 626.956.4200 | F. 626.956.4225 | maximlighting.com