

TRIM | FLUSH MOUNT

57660 | 57662 | 57663 | 57664

- Die Cast Aluminum Construction
- Size options between 5", 7", 9", and 11"
- Ultra-thin 1" height with less than 1/4" trim
- Available in 3000k (Made-to-order Color Temperatures available)
- Suitable for Closets according to NEC Section 410.8 & 410.16
- Forward Phase Dimming
- Easy to install: fits in 3-0 and 4-0 Outlet Box (pancake and mud ring acceptable)
- Suitable for Wet Location, for use on ceilings outdoor and above showers
- ETL/cETL IP65



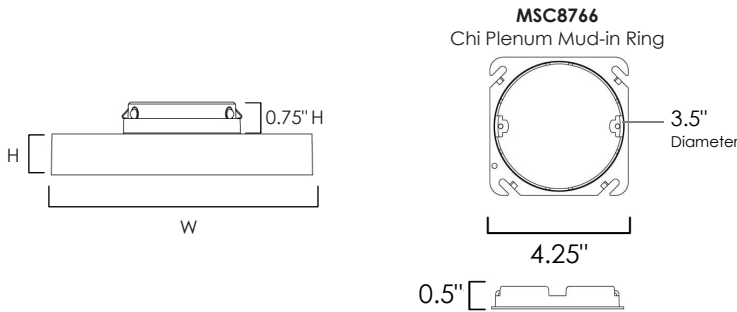
Job Name : _____
 Job Type : _____
 Quantity : _____
 Comments : _____



MSC8766 Mud-in Ring

PRODUCT DESCRIPTION

Thin discs of evenly illuminated LED create the impression of recessed lighting. The die-cast aluminum housings are available in White, Black, Satin Nickel, and Polished Chrome all with a thoughtfully recessed White polycarbonate diffuser. High efficiency and good color rendering make this a perfect choice for your next project.



MEASUREMENTS

MODEL	DIMENSION	DRIVER	CANOPY	WIRE LENGHT
57660	5"W x 0.75"H x 5"L	0.75"H	5"W x 0.75"H x 5"L	8"L
57662	7"W x 0.75"H x 7"L		7"W x 0.75"H x 7"L	8"L
57663	9"W x 0.75"H x 9"L		9"W x 0.75"H x 9"L	8"L
57664	11"W x 0.75"H x 11"L		11"W x 0.75"H x 11"L	8"L
MSC8766	4.25"W x 0.5"H			

LAMPING

MODEL	BULB TYPE	CRI	COL TEMP.	LUMENS RATED	DEL	DIMMABLE	INPUT
57660	12.5W AC Integrated LED	90+	3000K	920	875	Triac CL	120V
57662	15W AC Integrated LED	90+	3000K	1100	1050	Triac CL	120V
57663	18W AC Integrated LED	90+	3000K	1500	1450	Triac CL	120V
57664	20W AC Integrated LED	90+	3000K	1600	1500	Triac CL	120V

Always consult a qualified electrician before installing any lighting product

FINISH OPTIONS:

- Polished Chrome(PC)
- Satin Nickel (SN)
- White (WT)
- Black (BK)



MATERIAL:

PC + Aluminum

GLASS:

White Acrylic (WT)

AVAILABLE SIZES:

5" | 7" | 9" | 11"

RATINGS:

- cETLus
- Wet Location
- Dimmable
- Title 24 JA8 Compliant
- Energy Star
- ADA



ADDITIONAL:

RATED LIFE: 35,000 hours
 WARRANTY: 5 Years



WESTERN DISTRIBUTION CENTER (HEADQUARTER)
 253 NORTH VINELAND AVE | CITY OF INDUSTRY, CA 91746
EASTERN DISTRIBUTION CENTER
 101 GARDNER PARK | PEACHTREE CITY, GA 30269
 P. 626.956.4200 | F. 626.956.4225 | maximlighting.com