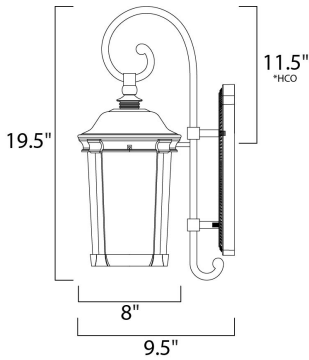




**PRODUCT DESCRIPTION**



\*height from center of outlet to the top of the fixture

**MEASUREMENTS**

- DIMENSION : 8" W x 19.5" H x 9.5" Ext
- BACK PLATE : 5" W x 10.5" H x 11.5" HCO
- HANGING WEIGHT : 4.82 lb

**LAMPING**

- INPUT VOLTAGE : 120V
- LUMENS : 900 Rated (650 Del.)
- BULB : 1 x 9W LED E26 Medium , 9W Total
- BULB INCLUDED : (Included)
- DIMMABLE :
- CRI : 90+ CRI
- COLOR\_TEMP : 3000K

**FINISHES OPTION**

- Bronze (BZ)

**GLASS**

Frosted Seedy FS

**MATERIAL**

Die Cast Aluminum, Glass

**RATINGS**

cETLus  
Wet Location



**ADDITIONAL**

RATED LIFE 25000 Hours  
OPERATING TEMPERATURE:  
-20°C (-4°F), 40°C (104°F)

PHOTOMETRIC: Report Found Online

Always consult a qualified electrician before installing any lighting product.



WESTERN DISTRIBUTION CENTER (HEADQUARTER)  
253 NORTH VINELAND AVE | CITY OF INDUSTRY, CA 91746

EASTERN DISTRIBUTION CENTER  
101 GARDNER PARK | PEACHTREE CITY, GA 30269

P. 626.956.4200 | F. 626.956.4225 | maximlighting.com