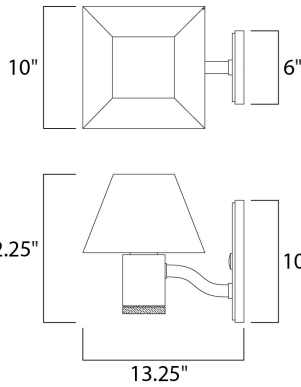




**PRODUCT DESCRIPTION**

This classic design features indirect light from within the shade as well as direct down light through the clear acrylic diffuser. Durable die cast aluminum construction is available in your choice of Architectural Bronze or Black.



**MEASUREMENTS**

DIMENSION : 10" W x 12.25" H x 13.25" Ext  
 BACK PLATE : 6" W x 10" H x 7" HCO  
 HANGING WEIGHT : 5.56 lb

**LAMPING**

INPUT VOLTAGE : 120V  
 LUMENS : 1,190 Rated  
 BULB : 2 x 8.5W LED PCB Integrated , 17W Total  
 BULB INCLUDED : (Integrated)  
 DIMMABLE : No  
 CRI : 80+ CRI  
 COLOR\_TEMP : 3000K

**FINISHES OPTION**

 Black (BK)

**GLASS**

Clear CL

**MATERIAL**

Die Cast Aluminum

**RATINGS**

cETLus  
 Wet Location



**ADDITIONAL**

OPERATING TEMPERATURE:  
 -20°C (-4°F), 40°C (104°F)

Always consult a qualified electrician before installing any lighting product.



WESTERN DISTRIBUTION CENTER (HEADQUARTER)  
 253 NORTH VINELAND AVE | CITY OF INDUSTRY, CA 91746

EASTERN DISTRIBUTION CENTER  
 101 GARDNER PARK | PEACHTREE CITY, GA 30269

P. 626.956.4200 | F. 626.956.4225 | maximlighting.com