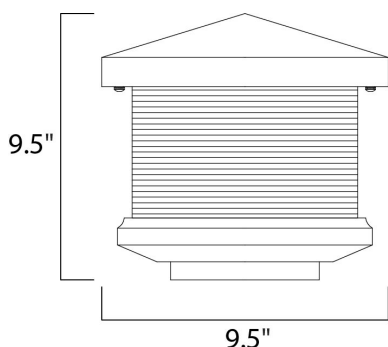




PRODUCT DESCRIPTION

Maxim Lighting's Triumph VX Collection is made with Vivex, a material twice the strength of resin, is non-corrosive, UV resistant and backed with a 5-Year Limited Warranty. Triumph VX features our Earth Tone finish and Clear glass.



MEASUREMENTS

DIMENSION : 9.5" W x 9.5" H
 HANGING WEIGHT : 9.9 lb

LAMPING

INPUT VOLTAGE : 120V
 BULB : 1 x 60W Incandescent E26 Medium , 60W Total
 BULB INCLUDED : (Not Included)
 DIMMABLE : Yes

FINISHES OPTION

 Earth Tone (ET)

GLASS

Clear CL

MATERIAL

Poly Resin

RATINGS

cETLus
 Wet Location



ADDITIONAL

OPERATING TEMPERATURE:
 -20°C (-4°F), 40°C (104°F)

Always consult a qualified electrician before installing any lighting product.



WESTERN DISTRIBUTION CENTER (HEADQUARTER)
 253 NORTH VINELAND AVE | CITY OF INDUSTRY, CA 91746

EASTERN DISTRIBUTION CENTER
 101 GARDNER PARK | PEACHTREE CITY, GA 30269

P. 626.956.4200 | F. 626.956.4225 | maximlighting.com