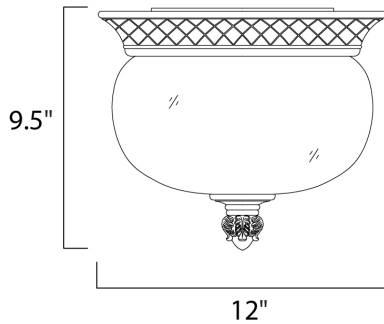




**PRODUCT DESCRIPTION**

Maxim Lighting's Carriage House VX Collection is made with Vivex, a material twice the strength of resin, is non-corrosive, UV resistant and backed with a 5-Year Limited Warranty. Carriage House VX features our Oriental Bronze finish and Water Glass.




**MEASUREMENTS**

DIMENSION : 12" L x 12" W x 9.5" H  
 HANGING WEIGHT : 5.28 lb

**LAMPING**

INPUT VOLTAGE : 120V  
 BULB : 2 x 40W Incandescent E12 Candelabra , 80W Total  
 BULB INCLUDED : (Not Included)  
 DIMMABLE : Yes

**FINISHES OPTION**

 Oriental Bronze (OB)

**GLASS**

Water Glass WG

**MATERIAL**

Vivex Resin Composite, Glass

**RATINGS**

cETLus  
 Damp Location



**ADDITIONAL**

OPERATING TEMPERATURE:  
 -20°C (-4°F), 40°C (104°F)

Always consult a qualified electrician before installing any lighting product.



WESTERN DISTRIBUTION CENTER (HEADQUARTER)  
 253 NORTH VINELAND AVE | CITY OF INDUSTRY, CA 91746

EASTERN DISTRIBUTION CENTER  
 101 GARDNER PARK | PEACHTREE CITY, GA 30269

P. 626.956.4200 | F. 626.956.4225 | maximlighting.com