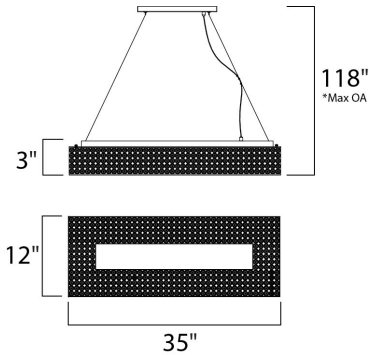




**PRODUCT DESCRIPTION**

Like a constellation that sparkles in the night, the Glimmer collection features frames of rings expertly crafted and finished in choice of Polished Silver or Bronze. The rings are adorned with hundreds of clear Beveled Crystal beads which are installed one at a time by hand to create a masterpiece of lighting illuminated by xenon lamps



\*max overall height

**MEASUREMENTS**

- DIMENSION : 35" L x 12" W x 3" H
- MAX OAH : 122" OAH
- CANOPY : 4.75" W x 0.79" H x 11.8" L
- HANGING WEIGHT : 19.8 lb

**LAMPING**

- INPUT VOLTAGE : 120V
- BULB : 1 x 40W Xenon G9 , 400W Total
- BULB INCLUDED : (Included)
- DIMMABLE : Yes

**FINISHES OPTION**

- Plated Silver (PS)

**GLASS**

Beveled Crystal BC

**MATERIAL**

Steel, K9 Crystal

**RATINGS**

cETLus  
Dry Location



**ADDITIONAL**

ADJUSTABLE  
RATED LIFE 2000 Hours  
OPERATING TEMPERATURE:  
-20°C (-4°F), 40°C (104°F)

Always consult a qualified electrician before installing any lighting product.



WESTERN DISTRIBUTION CENTER (HEADQUARTER)  
253 NORTH VINELAND AVE | CITY OF INDUSTRY, CA 91746

EASTERN DISTRIBUTION CENTER  
101 GARDNER PARK | PEACHTREE CITY, GA 30269

P. 626.956.4200 | F. 626.956.4225 | maximlighting.com