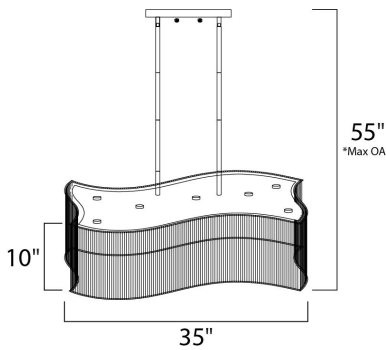




**PRODUCT DESCRIPTION**

Swizzle collection's gently curved frames of Polished Chrome support twisted Clear glass rods that shimmer in front of the natural light of the included xenon lamps. The interior of the fixture is draped with strands of clear beveled crystal that sparkle from below.



\*max overall height

**MEASUREMENTS**

DIMENSION : 35.75" L x 11.75" W x 10" H  
 MAX OAH : 55" OAH  
 HANGING WEIGHT : 37.18 lb

**LAMPING**

INPUT VOLTAGE : 120V  
 LUMENS : 3,840 Rated  
 BULB : 16 x 25W Xenon G9 , 400W Total  
 BULB INCLUDED : (Included)  
 DIMMABLE : Yes  
 COLOR\_TEMP : 2900K

**FINISHES OPTION**

 Polished Chrome (PC)

**GLASS**

Clear CL

**MATERIAL**

Metal, Glass

**RATINGS**

cETLus  
 Dry Location



**ADDITIONAL**

SLOPE: 120  
 RATED LIFE 2000 Hours  
 OPERATING TEMPERATURE:  
 -20°C (-4°F), 40°C (104°F)

Always consult a qualified electrician before installing any lighting product.



WESTERN DISTRIBUTION CENTER (HEADQUARTER)  
 253 NORTH VINELAND AVE | CITY OF INDUSTRY, CA 91746

EASTERN DISTRIBUTION CENTER  
 101 GARDNER PARK | PEACHTREE CITY, GA 30269

P. 626.956.4200 | F. 626.956.4225 | maximlighting.com