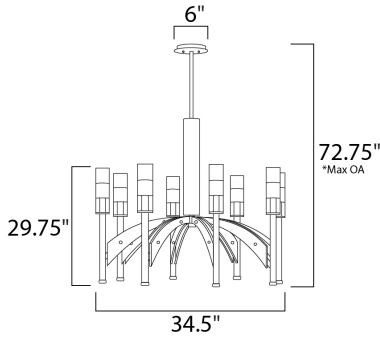




**PRODUCT DESCRIPTION**

A modern classic created using mixed medium in complimentary finishes that come together to compose a beautiful art form. Available in your choice of Wenge wood with Black and Polished Nickel accents or Antique Pecan wood with Bronze and Satin Brass. Tall Clear glass cylinders with a frosted band complement the scale of the design.



\*max overall height

**MEASUREMENTS**

- DIMENSION : 34.5" L x 34.5" W x 29.75" H
- MAX OAH : 72.75" OAH
- CANOPY : 6" W x 0.75" H x 6" L
- HANGING WEIGHT : 35.42 lb
- WIRE LENGTH : 120"

**LAMPING**

- INPUT VOLTAGE : 120V
- LUMENS : 3,920 Rated
- BULB : 8 x 40W Xenon G9 , 320W Total
- BULB INCLUDED : (Included)
- DIMMABLE : Yes

**FINISHES OPTION**

- Black / Wenge (BKWE)
- Bronze / Antique Pecan (BZAP)

**GLASS**

Clear CL

**MATERIAL**

Steel, Wood, Glass

**RATINGS**

cETLus  
Dry Location



**ADDITIONAL**

RATED LIFE 2000 Hours  
OPERATING TEMPERATURE:  
-20°C (-4°F), 40°C (104°F)

Always consult a qualified electrician before installing any lighting product.



WESTERN DISTRIBUTION CENTER (HEADQUARTER)  
253 NORTH VINELAND AVE | CITY OF INDUSTRY, CA 91746

EASTERN DISTRIBUTION CENTER  
101 GARDNER PARK | PEACHTREE CITY, GA 30269

P. 626.956.4200 | F. 626.956.4225 | maximlighting.com