



PRODUCT DESCRIPTION

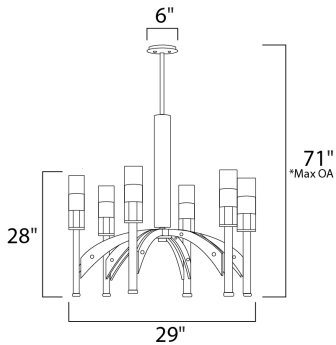
A modern classic created using mixed medium in complimentary finishes that come together to compose a beautiful art form. Available in your choice of Wenge wood with Black and Polished Nickel accents or Antique Pecan wood with Bronze and Satin Brass. Tall Clear glass cylinders with a frosted band complement the scale of the design.

MEASUREMENTS

DIMENSION : 29" L x 29" W x 28" H
 MAX OAH : 71" OAH
 CANOPY : 6" W x 0.75" H x 6" L
 HANGING WEIGHT : 24.64 lb
 WIRE LENGTH : 120"

LAMPING

INPUT VOLTAGE : 120V
 LUMENS : 2,940 Rated
 BULB : 6 x 40W Xenon G9 , 240W Total
 BULB INCLUDED : (Included)
 DIMMABLE : Yes



*max overall height

FINISHES OPTION

- Black / Wenge (BKWE)
- Bronze / Antique Pecan (BZAP)

GLASS

Clear CL

MATERIAL

Steel, Wood, Glass

RATINGS

cETLus
 Dry Location



ADDITIONAL

ADJUSTABLE
 RATED LIFE 2000 Hours
 OPERATING TEMPERATURE:
 -20°C (-4°F), 40°C (104°F)

Always consult a qualified electrician before installing any lighting product.



WESTERN DISTRIBUTION CENTER (HEADQUARTER)
 253 NORTH VINELAND AVE | CITY OF INDUSTRY, CA 91746

EASTERN DISTRIBUTION CENTER
 101 GARDNER PARK | PEACHTREE CITY, GA 30269

P. 626.956.4200 | F. 626.956.4225 | maximlighting.com