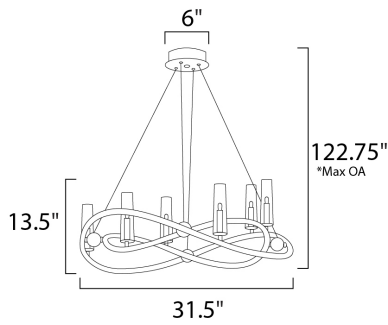




PRODUCT DESCRIPTION

Round tubing of Golden Silver gracefully weaves to form a unique and interesting design. Tapered Clear crystal fonts are strategically placed to give balance and even illumination.



*max overall height

MEASUREMENTS

- DIMENSION : 31.5" L x 31.5" W x 13.5" H
- MAX OAH : 122.75" OAH
- CANOPY : 6" W x 1" H x 6" L
- HANGING WEIGHT : 12.98 lb

LAMPING

- INPUT VOLTAGE : 120V
- LUMENS : 2,940 Rated
- BULB : 6 x 40W Xenon G9 , 240W Total
- BULB INCLUDED : (Included)
- DIMMABLE : Yes

FINISHES OPTION

- Golden Silver (GS)

GLASS

Clear CL

MATERIAL

Metal

RATINGS

cULus
Dry Location



ADDITIONAL

ADJUSTABLE
RATED LIFE 2000 Hours
OPERATING TEMPERATURE:
-20°C (-4°F), 40°C (104°F)

Always consult a qualified electrician before installing any lighting product.



WESTERN DISTRIBUTION CENTER (HEADQUARTER)
253 NORTH VINELAND AVE | CITY OF INDUSTRY, CA 91746

EASTERN DISTRIBUTION CENTER
101 GARDNER PARK | PEACHTREE CITY, GA 30269

P. 626.956.4200 | F. 626.956.4225 | maximlighting.com