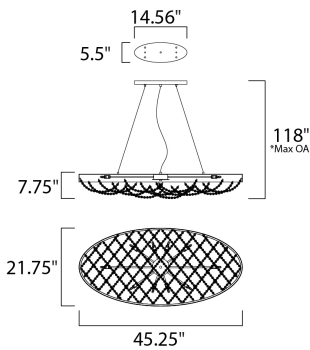




PRODUCT DESCRIPTION

Not your grandmothers crystal but a modern approach featuring clean stainless steel frames finished in Polished Nickel and woven strands of high quality Beveled Crystal that shimmer under the brilliance of high power xenon lamps included. These fixtures come pre-draped for quick and easy installation.



*max overall height

MEASUREMENTS

DIMENSION : 45.25" L x 21.75" W x 7.75" H
 MAX OAH : 125" OAH
 CANOPY : 5.5" W x 1" H x 14.5" L
 HANGING WEIGHT : 26.62 lb
 WIRE LENGTH : 120"

LAMPING

INPUT VOLTAGE : 120V
 LUMENS : 4,900 Rated
 BULB : 1 x 40W Xenon G9 , 400W Total
 BULB INCLUDED : (Included)
 DIMMABLE : Yes
 LIGHTING_DIRECTION : Down

FINISHES OPTION

 Polished Nickel (PN)

GLASS

Beveled Crystal BC

MATERIAL

Steel, Crystal

RATINGS

cETLus
 Dry Location



ADDITIONAL

RATED LIFE 2000 Hours
 OPERATING TEMPERATURE:
 -20°C (-4°F), 40°C (104°F)

Always consult a qualified electrician before installing any lighting product.



WESTERN DISTRIBUTION CENTER (HEADQUARTER)
 253 NORTH VINELAND AVE | CITY OF INDUSTRY, CA 91746

EASTERN DISTRIBUTION CENTER
 101 GARDNER PARK | PEACHTREE CITY, GA 30269

P. 626.956.4200 | F. 626.956.4225 | maximlighting.com