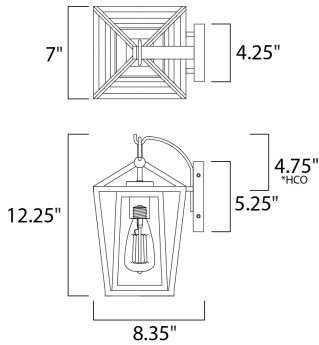




PRODUCT DESCRIPTION

This frame inside a frame design is the perfect update to this classically inspired outdoor lantern. Durable stainless steel construction is finished in Black and supports an inner frame of Clear panels of glass for a crisp and clean appearance.



*height from center of outlet to the top of the fixture

MEASUREMENTS

- DIMENSION : 7" W x 12.25" H x 8.35" Ext
- BACK PLATE : 4.25" W x 5.25" H x 4.75" HCO
- HANGING WEIGHT : 4.4 lb

LAMPING

- INPUT VOLTAGE : 120V
- BULB : 1 x 60W Incandescent E26 Medium , 60W Total
- BULB INCLUDED : (Not Included)
- DIMMABLE : Yes
- LIGHTING_DIRECTION : Down

FINISHES OPTION

- Black (BK)

GLASS

Clear CL

MATERIAL

Stainless Steel

RATINGS

cETLus
Wet Location



ADDITIONAL

OPERATING TEMPERATURE:
-20°C (-4°F), 40°C (104°F)

Always consult a qualified electrician before installing any lighting product.



WESTERN DISTRIBUTION CENTER (HEADQUARTER)
253 NORTH VINELAND AVE | CITY OF INDUSTRY, CA 91746

EASTERN DISTRIBUTION CENTER
101 GARDNER PARK | PEACHTREE CITY, GA 30269

P. 626.956.4200 | F. 626.956.4225 | maximlighting.com