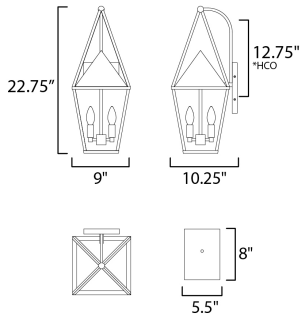




PRODUCT DESCRIPTION

An exaggerated openwork framed steeple adds vertical qualities on a sharp-lined Matte Black lantern frame. Blending modern concepts with forms that evoke a whimsical imagery, this collection presents a transitional styling for outdoor spaces.



*height from center of outlet to the top of the fixture

MEASUREMENTS

DIMENSION : 9" W x 22.75" H x 12.75" Ext
 BACK PLATE : 5.5" W x 8" H x 12.75" HCO
 HANGING WEIGHT : 4.62 lb

LAMPING

INPUT VOLTAGE : 120V
 BULB : 2 x 60W Incandescent E12 Candelabra , 120W Total
 BULB INCLUDED : (Not Included)
 DIMMABLE : Triac or ELV
 LIGHTING_DIRECTION : Up

FINISHES OPTION

 Black (BK)

GLASS

Clear CL

MATERIAL

Steel, Aluminum

RATINGS

cETLus
 Wet Location



ADDITIONAL

INSTALL UP/DOWN: Up
 OPERATING TEMPERATURE:
 -20°C (-4°F), 40°C (104°F)

Always consult a qualified electrician before installing any lighting product.



WESTERN DISTRIBUTION CENTER (HEADQUARTER)
 253 NORTH VINELAND AVE | CITY OF INDUSTRY, CA 91746

EASTERN DISTRIBUTION CENTER
 101 GARDNER PARK | PEACHTREE CITY, GA 30269

P. 626.956.4200 | F. 626.956.4225 | maximlighting.com