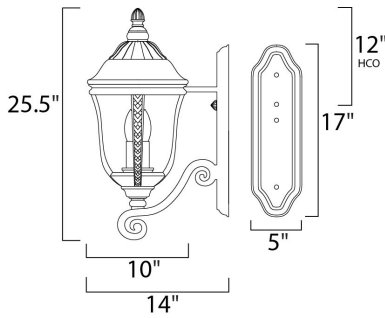




PRODUCT DESCRIPTION

Whittier Cast is a traditional, European style collection from Maxim Lighting International in Earth Tone finish with Water Glass glass.



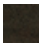
MEASUREMENTS

DIMENSION : 10" W x 25.5" H x 14" Ext
 BACK PLATE : 5.5" W x 17" H x 12" HCO
 HANGING WEIGHT : 7.7 lb

LAMPING

INPUT VOLTAGE : 120V
 BULB : 3 x 40W Incandescent E12 Candelabra , 120W Total
 BULB INCLUDED : (Not Included)
 DIMMABLE : Yes

FINISHES OPTION

 Earth Tone (ET)

GLASS

Water Glass WG

MATERIAL

Die Cast Aluminum

RATINGS

cETLus
 Wet Location



ADDITIONAL

OPERATING TEMPERATURE:
 -20°C (-4°F), 40°C (104°F)

Always consult a qualified electrician before installing any lighting product.



WESTERN DISTRIBUTION CENTER (HEADQUARTER)
 253 NORTH VINELAND AVE | CITY OF INDUSTRY, CA 91746

EASTERN DISTRIBUTION CENTER
 101 GARDNER PARK | PEACHTREE CITY, GA 30269

P. 626.956.4200 | F. 626.956.4225 | maximlighting.com