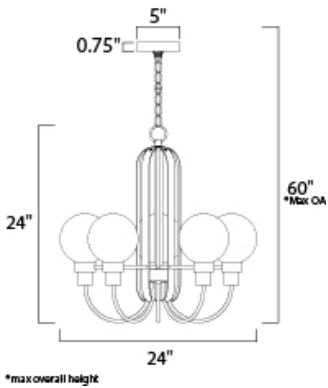




**PRODUCT DESCRIPTION**

This classic Mid Century Modern design features a frame finished in a combination of Bronze and Satin Brass. The arms terminate at rings that support Clear heavy blown glass shades which were prevalent in this era.



**MEASUREMENTS**

- DIMENSION : 24" L x 24" W x 24" H
- MAX OAH : 60" OAH
- CANOPY : 5" W x 0.75" H
- HANGING WEIGHT : 11.07 lb

**LAMPING**

- INPUT VOLTAGE : 120V
- BULB : 5 x 60W Incandescent E12 Candelabra , 300W Total
- BULB INCLUDED : (Not Included)
- DIMMABLE : Yes

**FINISHES OPTION**

- Bronze / Satin Brass (BZSBR)

**GLASS**

Clear CL

**MATERIAL**

Steel, Glass

**RATINGS**

cULus  
Dry Location



**ADDITIONAL**

ADJUSTABLE  
SLOPE: 120  
OPERATING TEMPERATURE:  
-20°C (-4°F), 40°C (104°F)

Always consult a qualified electrician before installing any lighting product.



WESTERN DISTRIBUTION CENTER (HEADQUARTER)  
253 NORTH VINELAND AVE | CITY OF INDUSTRY, CA 91746

EASTERN DISTRIBUTION CENTER  
101 GARDNER PARK | PEACHTREE CITY, GA 30269

P. 626.956.4200 | F. 626.956.4225 | maximlighting.com