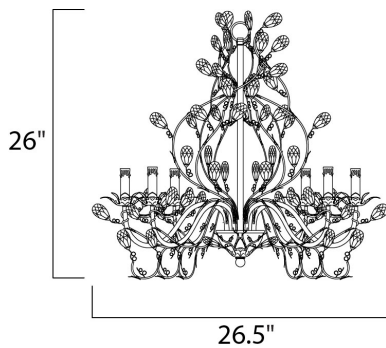




PRODUCT DESCRIPTION

One of our most popular collections, Elegante combines lighting with decorating. Delicate leaves and crystals top the wrap-around vines. Offered in Etruscan Gold or Oil Rubbed Bronze.



MEASUREMENTS

DIMENSION : 26.5" L x 26.5" W x 28.5" H
 MAX OAH : 65" OAH
 HANGING WEIGHT : 15.84 lb

LAMPING

INPUT VOLTAGE : 120V
 BULB : 6 x 60W Incandescent E12 Candelabra , 360W Total
 BULB INCLUDED : (Not Included)
 DIMMABLE : Yes

FINISHES OPTION

- Etruscan Gold (EG)
- Oil Rubbed Bronze (OI)

MATERIAL

Steel

RATINGS

cULus
 Dry Location



ADDITIONAL

OPERATING TEMPERATURE:
 -20°C (-4°F), 40°C (104°F)

Always consult a qualified electrician before installing any lighting product.



WESTERN DISTRIBUTION CENTER (HEADQUARTER)
 253 NORTH VINELAND AVE | CITY OF INDUSTRY, CA 91746

EASTERN DISTRIBUTION CENTER
 101 GARDNER PARK | PEACHTREE CITY, GA 30269

P. 626.956.4200 | F. 626.956.4225 | maximlighting.com