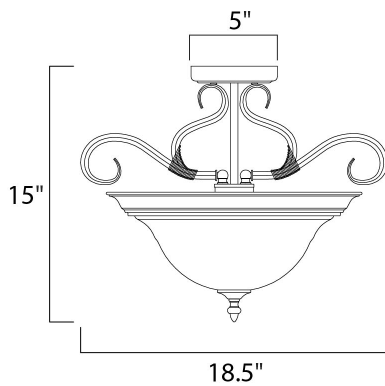




#### PRODUCT DESCRIPTION

Simple, elegant designs offered in a variety of our most popular finishes. Choose from Acorn, Country Stone, Pewter and Kentucky Bronze. Glass options are Marble and Wilshire.




#### MEASUREMENTS

DIMENSION : 18.5" L x 18.5" W x 15" H  
 CANOPY : 5.25" W x 1" H x 5.25" L  
 HANGING WEIGHT : 13.64 lb

#### LAMPING

INPUT VOLTAGE : 120V  
 BULB : 3 x 60W Incandescent E26 Medium , 180W Total  
 BULB INCLUDED : (Not Included)  
 DIMMABLE : Yes

#### FINISHES OPTION

 Kentucky Bronze (KB)

#### GLASS

Wilshire WS

#### MATERIAL

Glass, Steel

#### RATINGS

cULus  
 Dry Location



#### ADDITIONAL

OPERATING TEMPERATURE:  
 -20°C (-4°F), 40°C (104°F)

Always consult a qualified electrician before installing any lighting product.