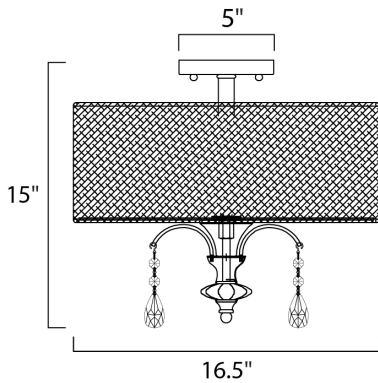




**PRODUCT DESCRIPTION**

Tradition with a twist, the Montgomery collection's Polished Nickel finish gleams with its curves and delicate arcs. Clear Glass and carefully cut crystals add sparkle. The pendant and semi-flush fixtures include a Blush fabric shade that diffuses the light and warms the glow.



**MEASUREMENTS**

DIMENSION : 16.5" W x 15" H  
 CANOPY : 5" W x 1.2" H x 5" L  
 HANGING WEIGHT : 2.97 lb

**LAMPING**

INPUT VOLTAGE : 120V  
 BULB : 3 x 75W Incandescent E26 Medium , 225W Total  
 BULB INCLUDED : (Not Included)  
 DIMMABLE : Yes

**FINISHES OPTION**

 Polished Nickel (PN)

**GLASS**

Clear CL

**MATERIAL**

Metal, Crystal, Glass, Fabric

**RATINGS**

cULus  
 Dry Location



**ADDITIONAL**

OPERATING TEMPERATURE:  
 -20°C (-4°F), 40°C (104°F)

Always consult a qualified electrician before installing any lighting product.



WESTERN DISTRIBUTION CENTER (HEADQUARTER)  
 253 NORTH VINELAND AVE | CITY OF INDUSTRY, CA 91746

EASTERN DISTRIBUTION CENTER  
 101 GARDNER PARK | PEACHTREE CITY, GA 30269

P. 626.956.4200 | F. 626.956.4225 | maximlighting.com