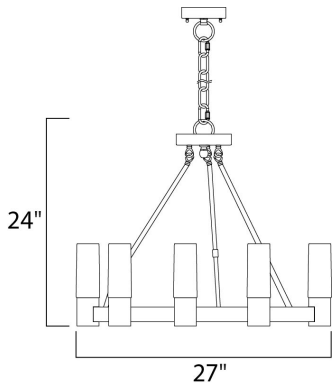


**PRODUCT DESCRIPTION**

The Contessa collection is a Soft Modern design combining elements of traditional brass heritage and contemporary elongated glass. The cylindrical shades are made of etched opal Satin White glass providing a soft diffused light while adding a contemporary flair to the design. The frames are constructed of rectangular tubing finished in our Natural Aged Brass softening the modern approach of the design.



**MEASUREMENTS**

DIMENSION : 27" L x 27" W x 24" H  
 MAX OAH : 36" OAH  
 HANGING WEIGHT : 23.1 lb

**LAMPING**

INPUT VOLTAGE : 120V  
 BULB : 9 x 40W Incandescent E12 Candelabra , 360W Total  
 BULB INCLUDED : (Not Included)  
 DIMMABLE : Yes

**FINISHES OPTION**

 Natural Aged Brass (NAB)

**GLASS**

Satin White SW

**MATERIAL**

Steel, Glass

**RATINGS**

cETLus  
 Dry Location



**ADDITIONAL**

OPERATING TEMPERATURE:  
 -20°C (-4°F), 40°C (104°F)

Always consult a qualified electrician before installing any lighting product.



WESTERN DISTRIBUTION CENTER (HEADQUARTER)  
 253 NORTH VINELAND AVE | CITY OF INDUSTRY, CA 91746

EASTERN DISTRIBUTION CENTER  
 101 GARDNER PARK | PEACHTREE CITY, GA 30269

P. 626.956.4200 | F. 626.956.4225 | maximlighting.com