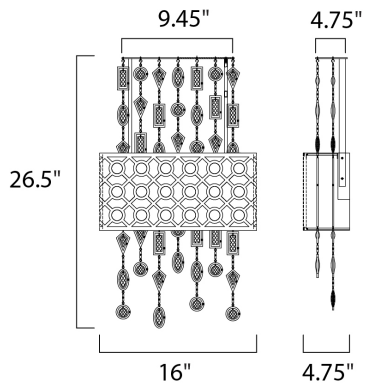




PRODUCT DESCRIPTION

A geometric pattern in a frame of Stainless Steel finished in Polished Nickel is contrasted by an inner Slate fabric shade. Geometric shaped cast pendants frame custom-made crystals, adding brilliant accents throughout the fixture.



MEASUREMENTS

DIMENSION : 16" W x 26.5" H x 4.75" Ext
 CANOPY : 4.75" W x 1.2" H x 9.45" L
 HANGING WEIGHT : 8.38 lb

LAMPING

INPUT VOLTAGE : V
 BULB : 3 x 40W Xenon G9 , 120W Total
 BULB INCLUDED : (Included)
 DIMMABLE :

FINISHES OPTION

 Polished Nickel (PN)

MATERIAL

Stainless Steel

RATINGS

Dry Location



ADDITIONAL

OPERATING TEMPERATURE:
 -20°C (-4°F), 40°C (104°F)

Always consult a qualified electrician before installing any lighting product.