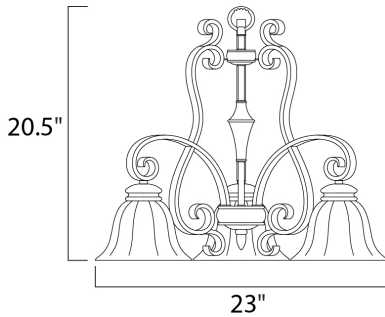




PRODUCT DESCRIPTION

A curvaceous metal frame finished in Platinum Dusk tastefully support fluted Wilshire glass shades.




MEASUREMENTS

DIMENSION : 23" L x 23" W x 20.5" H
 CANOPY : 5" W x 1" H x 5" L
 HANGING WEIGHT : 8.86 lb

LAMPING

INPUT VOLTAGE : 120V
 BULB : 3 x 60W Incandescent E26 Medium , 180W Total
 BULB INCLUDED : (Not Included)
 DIMMABLE : Yes

FINISHES OPTION

 Platinum Dusk (PD)

GLASS

Wilshire WS

MATERIAL

Steel

RATINGS

cETLus
 Dry Location



ADDITIONAL

ADJUSTABLE
 OPERATING TEMPERATURE:
 -20°C (-4°F), 40°C (104°F)

Always consult a qualified electrician before installing any lighting product.



WESTERN DISTRIBUTION CENTER (HEADQUARTER)
 253 NORTH VINELAND AVE | CITY OF INDUSTRY, CA 91746

EASTERN DISTRIBUTION CENTER
 101 GARDNER PARK | PEACHTREE CITY, GA 30269

P. 626.956.4200 | F. 626.956.4225 | maximlighting.com