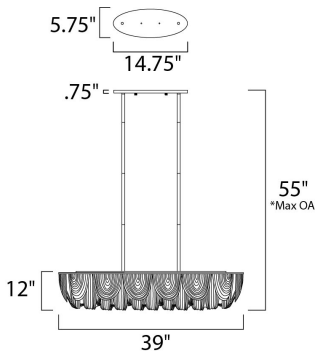




PRODUCT DESCRIPTION

Chantilly collection features metal frames gracefully draped with Nickel finished jewelry chain. Metal trim rings of Polished Nickel add sharp contrast to the softness of the chain, which conceals the xenon light source.



*max overall height

MEASUREMENTS

- DIMENSION : 39" L x 12.5" W x 12" H
- MAX OAH : 55" OAH
- CANOPY : 5.75" W x 0.75" H x 14.75" L
- HANGING WEIGHT : 30.87 lb

LAMPING

- INPUT VOLTAGE : 120V
- BULB : 7 x 40W Xenon G9 , 280W Total
- BULB INCLUDED : (Included)
- DIMMABLE : Yes
- COLOR_TEMP : 2900K

FINISHES OPTION

- Polished Nickel (PN)

MATERIAL

Steel

RATINGS

cETLus
Dry Location



ADDITIONAL

SLOPE: 120
 RATED LIFE 2000 Hours
 OPERATING TEMPERATURE:
 -20°C (-4°F), 40°C (104°F)

Always consult a qualified electrician before installing any lighting product.



WESTERN DISTRIBUTION CENTER (HEADQUARTER)
 253 NORTH VINELAND AVE | CITY OF INDUSTRY, CA 91746

EASTERN DISTRIBUTION CENTER
 101 GARDNER PARK | PEACHTREE CITY, GA 30269

P. 626.956.4200 | F. 626.956.4225 | maximlighting.com