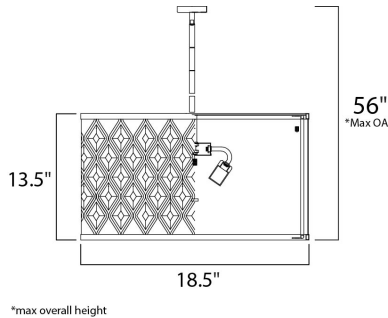




**PRODUCT DESCRIPTION**

Diamond-shaped crystals gracefully fit the openings in these metal frames finished in a rustic Golden Silver finish, and creamy Off White fabric shades line each frame of the Diamond collection. The oval-shaped pendant is sure to be the focal point of any fine decor.



**MEASUREMENTS**

- DIMENSION : 18.5" W x 13.5" H
- MAX OAH : 56" OAH
- CANOPY : 5.11" W x 1" H
- HANGING WEIGHT : 19.8 lb

**LAMPING**

- INPUT VOLTAGE : 120V
- BULB : 3 x 60W Incandescent E26 Medium , 180W Total
- BULB INCLUDED : (Not Included)
- DIMMABLE : Yes

**FINISHES OPTION**

-  Golden Silver (GS)

**MATERIAL**

Steel, Fabric Lampshade, Crystal

**RATINGS**

cETLus  
Dry Location



**ADDITIONAL**

OPERATING TEMPERATURE:  
-20°C (-4°F), 40°C (104°F)

Always consult a qualified electrician before installing any lighting product.



WESTERN DISTRIBUTION CENTER (HEADQUARTER)  
253 NORTH VINELAND AVE | CITY OF INDUSTRY, CA 91746

EASTERN DISTRIBUTION CENTER  
101 GARDNER PARK | PEACHTREE CITY, GA 30269

P. 626.956.4200 | F. 626.956.4225 | maximlighting.com