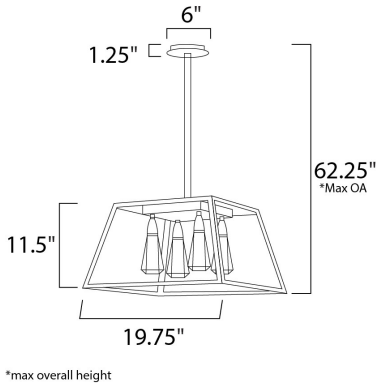




**PRODUCT DESCRIPTION**

Minimalistic metal forms in Textured Black beautifully Frame Beveled Crystal pendants. The Crystals come to life when illuminated by LED concealed in the supporting cast cups. A perfect combination of simplicity and elegance.



**MEASUREMENTS**

DIMENSION : 19.75" L x 19.75" W x 11.5" H  
 MAX OAH : 62.25" OAH  
 CANOPY : 6" W x 1.25" H x 6" L  
 HANGING WEIGHT : 19.8 lb

**LAMPING**

INPUT VOLTAGE : 120V  
 LUMENS : 840 Rated  
 BULB : 4 x 3W LED PCB Integrated , 12W Total  
 BULB INCLUDED : (Integrated)  
 DIMMABLE : Triac CL  
 CRI : 80+ CRI  
 COLOR\_TEMP : 3000K

**FINISHES OPTION**

Textured Black (TXB)

**GLASS**

Beveled Crystal BC

**MATERIAL**

Steel, Zinc Metal Alloy, Crystal

**RATINGS**

cETLus  
 Dry Location



**ADDITIONAL**

ADJUSTABLE  
 OPERATING TEMPERATURE:  
 -20°C (-4°F), 40°C (104°F)

Always consult a qualified electrician before installing any lighting product.



WESTERN DISTRIBUTION CENTER (HEADQUARTER)  
 253 NORTH VINELAND AVE | CITY OF INDUSTRY, CA 91746

EASTERN DISTRIBUTION CENTER  
 101 GARDNER PARK | PEACHTREE CITY, GA 30269

P. 626.956.4200 | F. 626.956.4225 | maximlighting.com