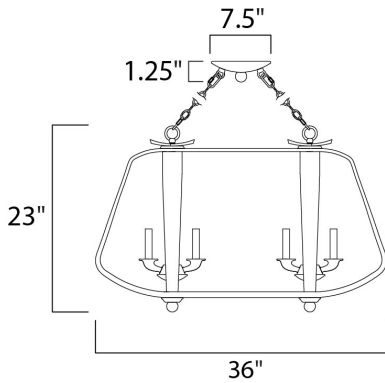




**PRODUCT DESCRIPTION**

Unique pendants formed of bent wood finished in Barnwood which is a weathered and distressed look. The internal clusters and details are constructed of cast iron in a hammered pattern and finished in a natural looking Iron Ore. A excellent blend of soft shape and rustic finish allows for this collection to fit into a number of interior designs.



**MEASUREMENTS**

- DIMENSION : 19" L x 36" W x 23" H
- MAX OAH : 63.13" OAH
- CANOPY : 7.5" W x 1.38" H x 7.5" L
- HANGING WEIGHT : 18.26 lb

**LAMPING**

- INPUT VOLTAGE : 120V
- BULB : 6 x 40W Incandescent E12 Candelabra , 240W Total
- BULB INCLUDED : (Not Included)
- DIMMABLE : Yes

**FINISHES OPTION**

- Barn Wood / Iron Ore (BWIO)

**MATERIAL**

Wood, Steel, Cast Aluminum

**RATINGS**

cETLus  
Dry Location



**ADDITIONAL**

OPERATING TEMPERATURE:  
-20°C (-4°F), 40°C (104°F)

Always consult a qualified electrician before installing any lighting product.



WESTERN DISTRIBUTION CENTER (HEADQUARTER)  
253 NORTH VINELAND AVE | CITY OF INDUSTRY, CA 91746

EASTERN DISTRIBUTION CENTER  
101 GARDNER PARK | PEACHTREE CITY, GA 30269

P. 626.956.4200 | F. 626.956.4225 | maximlighting.com