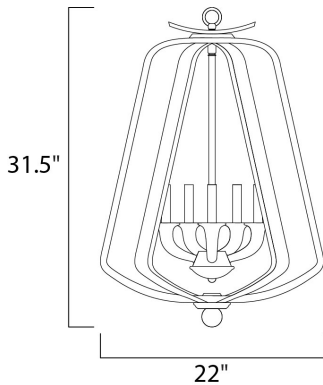




**PRODUCT DESCRIPTION**

Unique pendants formed of bent wood finished in Barnwood which is a weathered and distressed look. The internal clusters and details are constructed of cast iron in a hammered pattern and finished in a natural looking Iron Ore. A excellent blend of soft shape and rustic finish allows for this collection to fit into a number of interior designs.



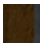
**MEASUREMENTS**

DIMENSION : 22" L x 22" W x 31.5" H  
 MAX OAH : 64.13" OAH  
 HANGING WEIGHT : 18.04 lb

**LAMPING**

INPUT VOLTAGE : 120V  
 BULB : 5 x 40W Incandescent E12 Candelabra , 200W Total  
 BULB INCLUDED : (Not Included)  
 DIMMABLE : Yes

**FINISHES OPTION**

 Barn Wood / Iron Ore (BWIO)

**MATERIAL**

Wood, Steel, Cast Aluminum

**RATINGS**

cETLus  
 Dry Location



**ADDITIONAL**

OPERATING TEMPERATURE:  
 -20°C (-4°F), 40°C (104°F)

Always consult a qualified electrician before installing any lighting product.



WESTERN DISTRIBUTION CENTER (HEADQUARTER)  
 253 NORTH VINELAND AVE | CITY OF INDUSTRY, CA 91746

EASTERN DISTRIBUTION CENTER  
 101 GARDNER PARK | PEACHTREE CITY, GA 30269

P. 626.956.4200 | F. 626.956.4225 | maximlighting.com