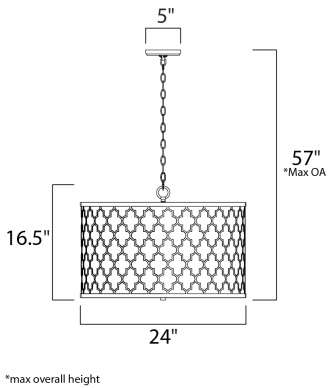




**PRODUCT DESCRIPTION**

Stately lanterns finished in Oil Rubbed Bronze with contrasting Antique Brass clusters provide a classic yet modern approach to lighting. Cast socket covers add an upscale element to this competitive collection.



**MEASUREMENTS**

- DIMENSION : 24" L x 24" W x 16.5" H
- MAX OAH : 57" OAH
- CANOPY : 5" W x 0.75" H x 5" L
- HANGING WEIGHT : 17.6 lb
- WIRE LENGTH : 120"

**LAMPING**

- INPUT VOLTAGE : 120V
- BULB : 4 x 60W Incandescent E26 Medium , 240W Total
- BULB INCLUDED : (Not Included)
- DIMMABLE : Yes

**FINISHES OPTION**

- Oil Rubbed Bronze / Antique Brass (OIAB)

**MATERIAL**

Steel, Glass, Fabric

**RATINGS**

cETLus  
Dry Location



**ADDITIONAL**

OPERATING TEMPERATURE:  
-20°C (-4°F), 40°C (104°F)

Always consult a qualified electrician before installing any lighting product.



WESTERN DISTRIBUTION CENTER (HEADQUARTER)  
253 NORTH VINELAND AVE | CITY OF INDUSTRY, CA 91746

EASTERN DISTRIBUTION CENTER  
101 GARDNER PARK | PEACHTREE CITY, GA 30269

P. 626.956.4200 | F. 626.956.4225 | maximlighting.com