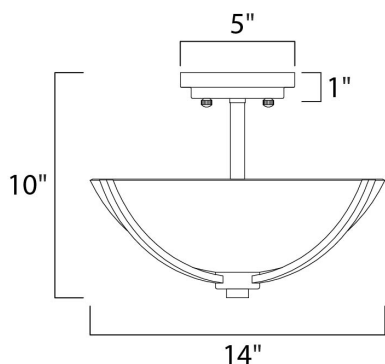




**PRODUCT DESCRIPTION**

A clean, contemporary design featuring rectangular tubing, finished in Polished Chrome, is enhanced by the tall scale, Satin White glass shades.



**MEASUREMENTS**

DIMENSION : 14" L x 14" W x 10" H  
 HANGING WEIGHT : 5.51 lb

**LAMPING**

INPUT VOLTAGE : 120V  
 BULB : 3 x 60W Incandescent E26 Medium , 180W Total  
 BULB INCLUDED : (Not Included)  
 DIMMABLE : Yes

**FINISHES OPTION**

 Polished Chrome (PC)

**GLASS**

Satin White SW

**MATERIAL**

Glass, Steel

**RATINGS**

cETLus  
 Dry Location



**ADDITIONAL**

OPERATING TEMPERATURE:  
 -20°C (-4°F), 40°C (104°F)

Always consult a qualified electrician before installing any lighting product.



WESTERN DISTRIBUTION CENTER (HEADQUARTER)  
 253 NORTH VINELAND AVE | CITY OF INDUSTRY, CA 91746

EASTERN DISTRIBUTION CENTER  
 101 GARDNER PARK | PEACHTREE CITY, GA 30269

P. 626.956.4200 | F. 626.956.4225 | maximlighting.com