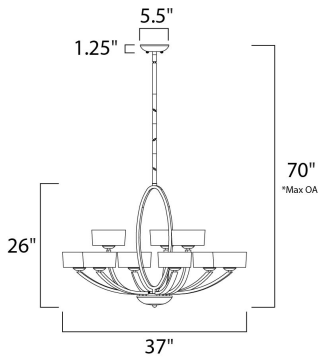




PRODUCT DESCRIPTION

Symmetry in design captures the essence of the Elle collection. Graceful sweeping arms finished in either Polished Chrome or Oil-Rubbed Bronze support a bold Frosted glass. Xenon lamps supply a bright, natural light.



*max overall height

MEASUREMENTS

DIMENSION : 37" W x 26" H
 MAX OAH : 70" OAH
 HANGING WEIGHT : 35.86 lb

LAMPING

INPUT VOLTAGE : 120V
 LUMENS : 4,050 Rated
 BULB : 9 x 40W Xenon G9 , 360W Total
 BULB INCLUDED : (Included)
 DIMMABLE : Yes
 COLOR_TEMP : 2900K

FINISHES OPTION

 Polished Chrome (PC)

GLASS

Frosted FT

MATERIAL

Steel, Glass

RATINGS

cETLus
 Dry Location



ADDITIONAL

SLOPE: 120
 RATED LIFE 2000 Hours
 OPERATING TEMPERATURE:
 -20°C (-4°F), 40°C (104°F)

Always consult a qualified electrician before installing any lighting product.



WESTERN DISTRIBUTION CENTER (HEADQUARTER)
 253 NORTH VINELAND AVE | CITY OF INDUSTRY, CA 91746

EASTERN DISTRIBUTION CENTER
 101 GARDNER PARK | PEACHTREE CITY, GA 30269

P. 626.956.4200 | F. 626.956.4225 | maximlighting.com