



PRODUCT DESCRIPTION

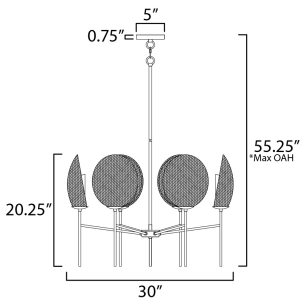
A classical chandelier that transports you to a tropical paradise, the Maldives collection features hand woven wicker shades that elegantly curve around precisely cut opal white glass. Suspended on slender supports of steel finished in Matte Black, the handcrafted shade structures conjure up images of bungalows along the coast. Available in chandelier and sconce configurations.

MEASUREMENTS

DIMENSION : 32" L x 32" W x 20.25" H
 MAX OAH : 55" OAH
 CANOPY : 5" W x 0.75" H x 5" L
 HANGING WEIGHT : 4.92 lb

LAMPING

INPUT VOLTAGE : 120V
 BULB : 6 x 60W Incandescent E12 Candelabra , 360W Total
 BULB INCLUDED : (Not Included)
 DIMMABLE : Y



*max overall height

FINISHES OPTION

 Black (BK)

MATERIAL

Steel,Rattan,Glass

RATINGS

cETLus
 Dry Location



ADDITIONAL

OPERATING TEMPERATURE:
 -20°C (-4°F), 40°C (104°F)

Always consult a qualified electrician before installing any lighting product.



WESTERN DISTRIBUTION CENTER (HEADQUARTER)
 253 NORTH VINELAND AVE | CITY OF INDUSTRY, CA 91746

EASTERN DISTRIBUTION CENTER
 101 GARDNER PARK | PEACHTREE CITY, GA 30269

P. 626.956.4200 | F. 626.956.4225 | maximlighting.com