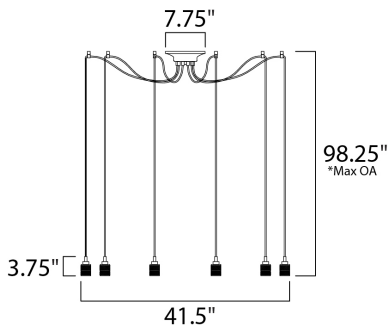




PRODUCT DESCRIPTION

As basic as it gets. A cast socket finished in Polished Chrome is mounted at the end of a black fabric cord. All but the single pendant is supplied with connectors to attach to the ceiling wick allows for customer configuration. Choose from our assortment of decorative bulbs or add the optional metal shade to complete the look.



*max overall height

MEASUREMENTS

- DIMENSION : 41.5" L x 41.5" W x 3.75" H
- MAX OAH : 98.25" OAH
- CANOPY : 7.75" W x 2" H x 7.75" L
- HANGING WEIGHT : 10.8 lb
- WIRE LENGTH : 120"

LAMPING

- INPUT VOLTAGE : 120V
- BULB : 1 x 60W Incandescent E26 Medium , 600W Total
- BULB INCLUDED : (Not Included)
- DIMMABLE : Yes

FINISHES OPTION

- Polished Chrome (PC)

MATERIAL

Steel, Aluminum

RATINGS

cETLus
Dry Location



ADDITIONAL

SLOPE: 120
OPERATING TEMPERATURE:
-20°C (-4°F), 40°C (104°F)

Always consult a qualified electrician before installing any lighting product.



WESTERN DISTRIBUTION CENTER (HEADQUARTER)
253 NORTH VINELAND AVE | CITY OF INDUSTRY, CA 91746

EASTERN DISTRIBUTION CENTER
101 GARDNER PARK | PEACHTREE CITY, GA 30269

P. 626.956.4200 | F. 626.956.4225 | maximlighting.com