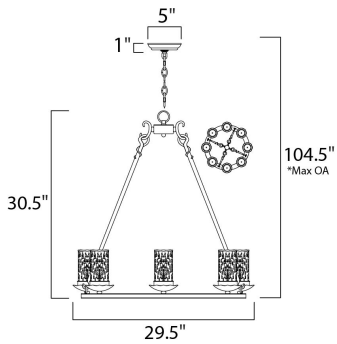




PRODUCT DESCRIPTION

The hand crafted nature of this series is evident in the support rods which are masterfully forged twists finished in our Oiled Bronze finish. The Wilshire candle shades add an authentic touch to this look.



*max overall height


MEASUREMENTS

DIMENSION : 29.5" L x 29.5" W x 30.5" H
 MAX OAH : 104.5" OAH
 CANOPY : 5" W x 1" H x 5" L
 HANGING WEIGHT : 33.73 lb

LAMPING

INPUT VOLTAGE : 120V
 BULB : 8 x 60W Incandescent E12 Candelabra , 480W Total
 BULB INCLUDED : (Not Included)
 DIMMABLE : Yes

FINISHES OPTION

 Oil Rubbed Bronze (OI)

GLASS

Wilshire WS

MATERIAL

Steel

RATINGS

cETLus
 Dry Location



ADDITIONAL

ADJUSTABLE
 OPERATING TEMPERATURE:
 -20°C (-4°F), 40°C (104°F)

Always consult a qualified electrician before installing any lighting product.



WESTERN DISTRIBUTION CENTER (HEADQUARTER)
 253 NORTH VINELAND AVE | CITY OF INDUSTRY, CA 91746

EASTERN DISTRIBUTION CENTER
 101 GARDNER PARK | PEACHTREE CITY, GA 30269

P. 626.956.4200 | F. 626.956.4225 | maximlighting.com