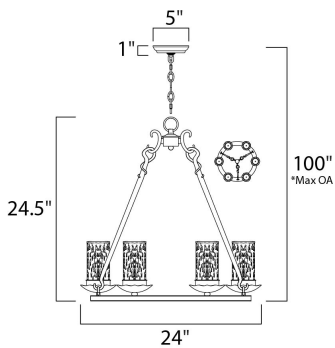




PRODUCT DESCRIPTION

The hand crafted nature of this series is evident in the support rods which are masterfully forged twists finished in our Oiled Bronze finish. The Wilshire candle shades add an authentic touch to this look.



*max overall height

MEASUREMENTS

- DIMENSION : 24" L x 24" W x 24.5" H
- MAX OAH : 100" OAH
- CANOPY : 5" W x 1" H x 5" L
- HANGING WEIGHT : 15.88 lb

LAMPING

- INPUT VOLTAGE : 120V
- BULB : 6 x 60W Incandescent E12 Candelabra , 360W Total
- BULB INCLUDED : (Not Included)
- DIMMABLE : Yes

FINISHES OPTION

- Oil Rubbed Bronze (OI)

GLASS

Wilshire WS

MATERIAL

Steel

RATINGS

cETLus
Dry Location



ADDITIONAL

ADJUSTABLE
OPERATING TEMPERATURE:
-20°C (-4°F), 40°C (104°F)

Always consult a qualified electrician before installing any lighting product.



WESTERN DISTRIBUTION CENTER (HEADQUARTER)
253 NORTH VINELAND AVE | CITY OF INDUSTRY, CA 91746

EASTERN DISTRIBUTION CENTER
101 GARDNER PARK | PEACHTREE CITY, GA 30269

P. 626.956.4200 | F. 626.956.4225 | maximlighting.com