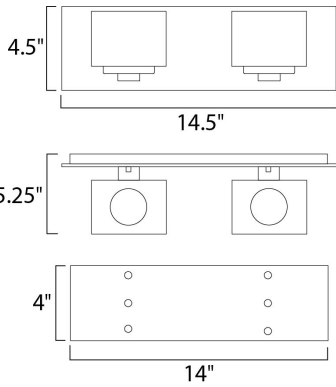


**PRODUCT DESCRIPTION**

Cubic collection's bold Clear crystal cubes are mounted on a solid metal frame finished in a mirror-like Polished Chrome. The inside of the crystal cubes are frosted to nicely diffuse the natural light created from the included xenon bulbs.



**MEASUREMENTS**

DIMENSION : 14.5" W x 4.5" H x 5.25" Ext  
 BACK PLATE : 14.13" W x 4.13" H  
 HANGING WEIGHT : 10.18 lb

**LAMPING**

INPUT VOLTAGE : 120V  
 LUMENS : 900 Rated (800 Del.)  
 BULB : 2 x 40W Xenon G9 , 80W Total  
 BULB INCLUDED : (Included)  
 DIMMABLE : Yes  
 COLOR\_TEMP : 2900K

**FINISHES OPTION**

 Polished Chrome (PC)

**GLASS**

Clear CL

**MATERIAL**

Metal, Crystal

**RATINGS**

cETLus  
 Damp Location



**ADDITIONAL**

INSTALL UP/DOWN: Up  
 RATED LIFE 2000 Hours  
 OPERATING TEMPERATURE:  
 -20°C (-4°F), 40°C (104°F)

Always consult a qualified electrician before installing any lighting product.



WESTERN DISTRIBUTION CENTER (HEADQUARTER)  
 253 NORTH VINELAND AVE | CITY OF INDUSTRY, CA 91746

EASTERN DISTRIBUTION CENTER  
 101 GARDNER PARK | PEACHTREE CITY, GA 30269

P. 626.956.4200 | F. 626.956.4225 | maximlighting.com