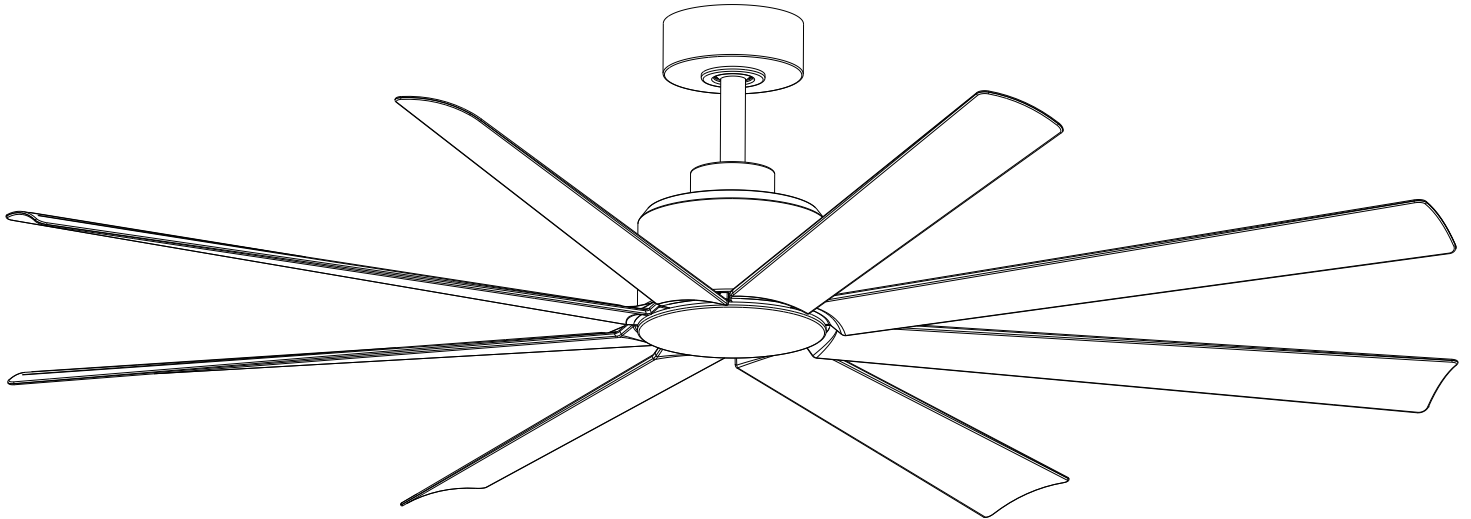


MAXIM[®]

L I G H T I N G

Item / Model Number: 88766

Condor 65" 8-Blade Fan



Lamping | Ampoule: 1 x 18W LED (included)

Please consult a qualified electrician prior to install

Veuillez consulter un électricien qualifié pour suspendre le luminaire et le câblage.

Made in China | Fabrique en Chine | Hecho en China

Safety Instructions:

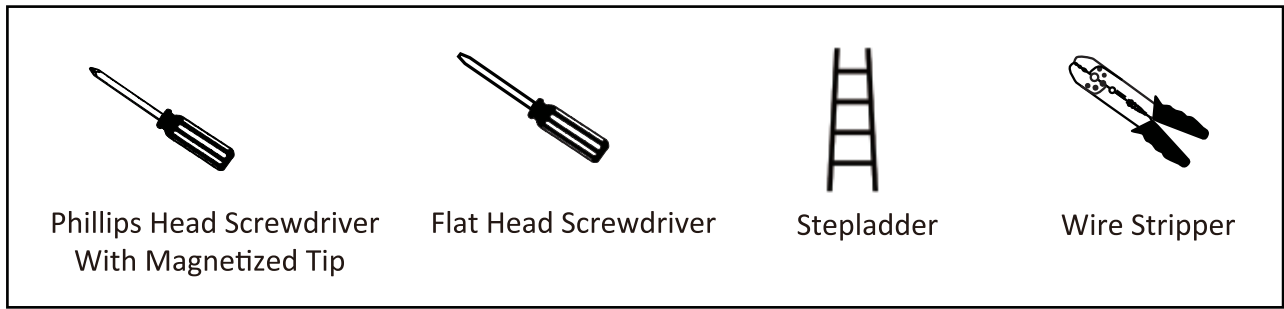
READ ALL SAFETY INFORMATION AND INSTALLATION INSTRUCTIONS BEFORE YOU BEGIN INSTALLING THE FAN. IF YOU ARE NOT FAMILIAR WITH NATIONAL AND LOCAL ELECTRICAL CODES AND BASIC ELECTRICAL WIRING PROCEDURES WE RECOMMEND THAT YOU HAVE A QUALIFIED ELECTRICIAN INSTALL YOUR NEW CEILING FAN. SAVE INSTRUCTIONS.

- To avoid the risk of electrical shock be sure to shut off power at the main fuse or circuit breaker box before installing or servicing this fixture.
- Make sure that all wiring conforms to national and local electrical codes. If you are in question obtain a copy of the codes and wire the fan accordingly. Never leave bare wire uncovered, use wire nuts to cap all connections. Plastic electrical tape is not recommended.
- Basic requirements for a ceiling fan installed with lights are 120V AC-60Hz on a grounded circuit with a 15 amp breaker or fuse. Make sure that your electrical system and choice of location meet these requirements.
- If the location where you plan to install your fan does not already have an electrical outlet, hire a licensed electrician to run the wiring and install an outlet box designed for ceiling fans or heavy fixtures. The outlet box should be able to support a minimum moving weight of 50 pounds and marked "Acceptable for Fan Support" (*Plastic outlet boxes are not recommended for ceiling fan installation*).
- If you plan to use an existing electrical location check to make sure that the outlet box is not PLASTIC, that it is securely attached and able to support at least 50 pounds of moving weight marked "Acceptable for Fan Support". If you have any questions, outlet boxes and support systems for ceiling fans are available at most hardware and do-it-yourself centers. In most cases your URBAN33 dealer will have all the necessary products for the proper and safe installation of your ceiling fan.
- The location you choose should have a minimum clearance of 20 inches from any wall to the blade tip at any point in its rotation and a minimum of 7 feet from blade level to floor and 10 inches from the blades to the ceiling.
- This ceiling fan was not designed for installation in any location where it might be exposed to moisture or high humidity. Installation in this type of location could be UNSAFE, will most likely damage the fan and its finish...and will VOID YOUR WARRANTY.
- Every effort has been made to provide you with proper instructions for the safe installation of this ceiling fan. You could however, encounter situations or problems not covered in this manual. Should this occur, please refer to a do-it-yourself wiring handbook or hire a qualified electrician to install your fan.
- Lubrication of your new ceiling fan is not necessary. The ball bearings have been adequately charged with grease and permanently sealed at the factory so that, under normal conditions, further attention is not necessary.
- NOTE: The safeguards provided by these safety instructions and by any separate installation instructions are not meant to cover all possible conditions and situations that may occur. It must be understood that common sense, caution and care are factors which can not be built into this product. These factors must be supplied by the person(s) installing, caring for and operating fan.

 **WARNING:**

This product is suitable for use in wet locations when installed in a GFCI protected branch circuit.

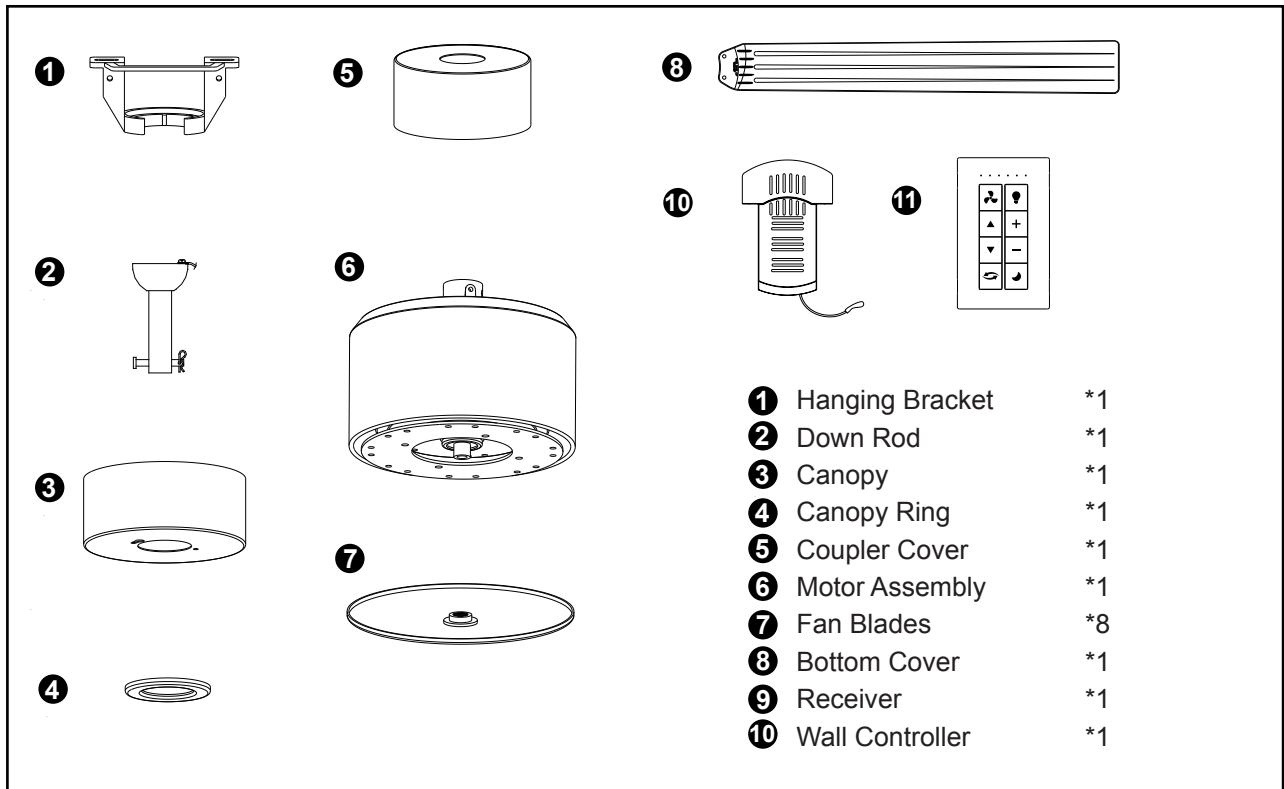
Tools Required:



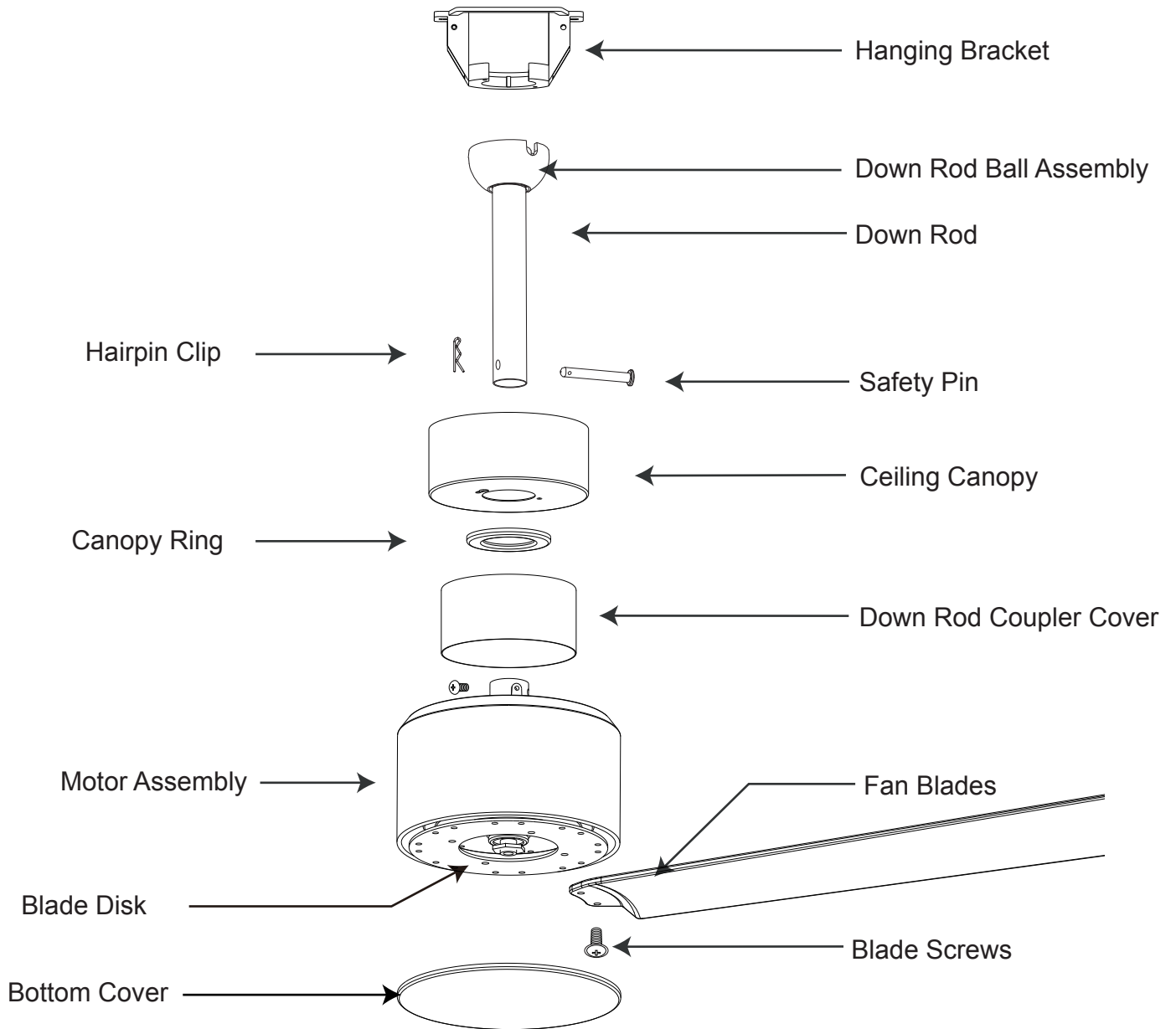
Screw Package Included:

Screw Package		Quantity
S1	S6	2 Each Per Fan Blade
S2	S7	2
S3	S8	3
S4		3
S5		2
		2
		3
		1

Fan Parts Included:



Fan Diagram



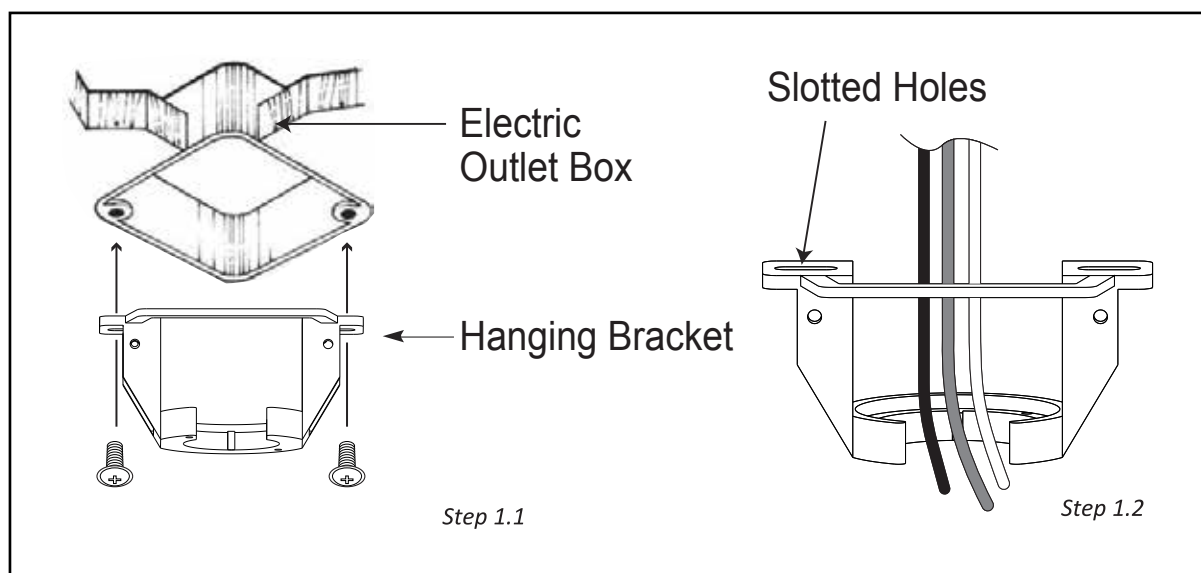
Warning:

- To reduce the risk of fire, electrical shock, or personal injury, mount this fan to an outlet box marked "Acceptable for Fan Support of 22.7 kg (50 lbs) " or less and use Mounting Screws provided with the outlet box. CAUTION: Install the primary mounting means and use only the hardware provided with the fan.
- To reduce the risk of personal injury take care not to bend the blade brackets when installing the brackets, balancing the blades or cleaning the fan. Be careful not to insert foreign objects in between rotating fan blades.
- To reduce the risk of fire or electrical shock, do not use this fan with any solid-state speed control device.
- The important safeguards and instructions appearing in this manual are not meant to cover all possible conditions and situations that may occur. It must be understood that common sense, caution and careful attention to detail are factors which cannot be built into this product. These factors must be supplied by the person or persons installing, caring for, and operating the unit.

Installation Instructions:

Step 1 Install hanging Bracket

1. Install hanging bracket onto the electrical outlet box in the ceiling using two machine screws, two washers and two lock washers.(See Step 1.1)
2. The hanging bracket has slotted holes which enable the fan to move laterally for proper alignment. Be sure that the hanging bracket is centered over the electrical outlet box and the attaching screws are tightened.
3. Pull the electrical wires in the outlet box down and through the hanging bracket.(See Step 1.2)



WARNING

The hanging bracket must be firmly attached to the outlet box.

Step 2 Suspension Installation

1. Loosen the set screws (2) in the down rod coupler until the inside tunnel is clear.
2. Remove the hairpin clip, washer and safety pin at the end of the down rod. Slide the ceiling canopy and canopy ring onto the down rod, followed by the down rod coupler cover.
3. Feed the motor wires and light wires from the fan housing through the down rod.
4. Insert the down rod into the down rod coupler with screw holes lined up. Insert the safety pin through the aligned holes, then add a washer to another side of safety pin and attach clip.
5. Securely tighten two set screws on the down rod coupler.

WARNING

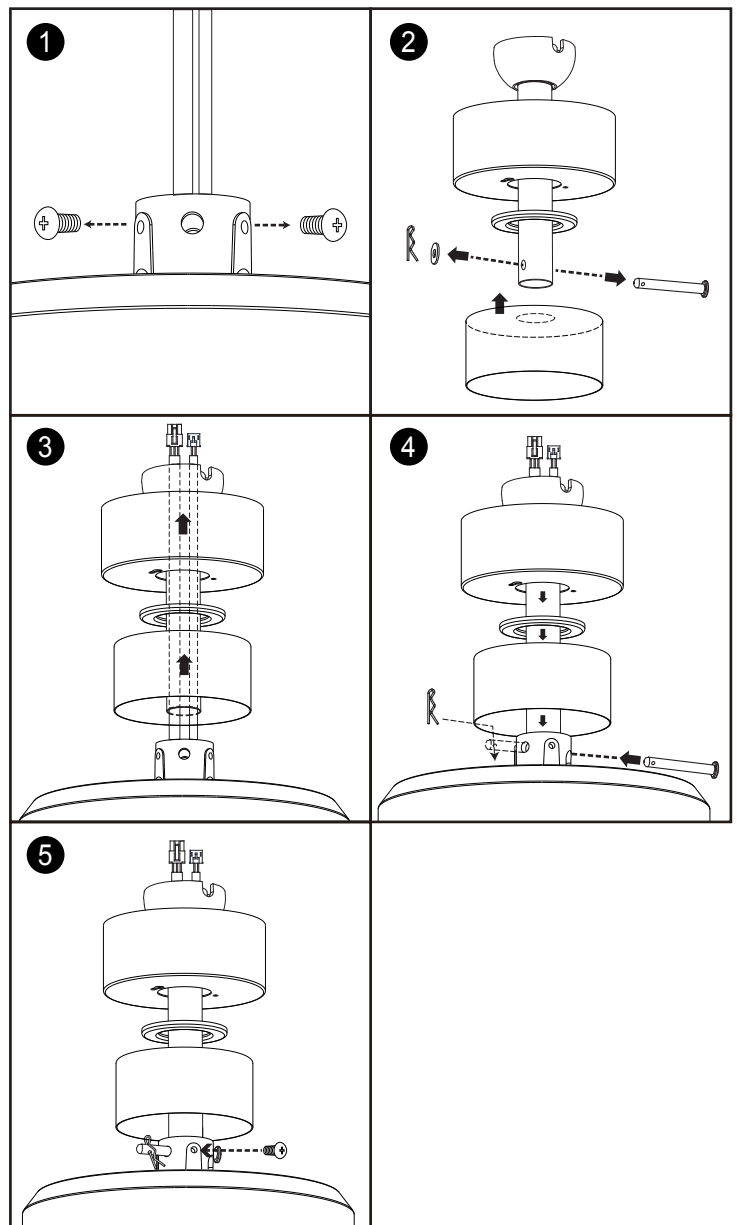
Do not bend fan blades during installation.

WARNING

It is critical that the down rod safety pin, hairpin clip and washer are securely installed.

WARNING

Electricity must be turned off at the circuitbreaker panel feeding the ceiling fan circuit before the fan is hung and wiring attached.

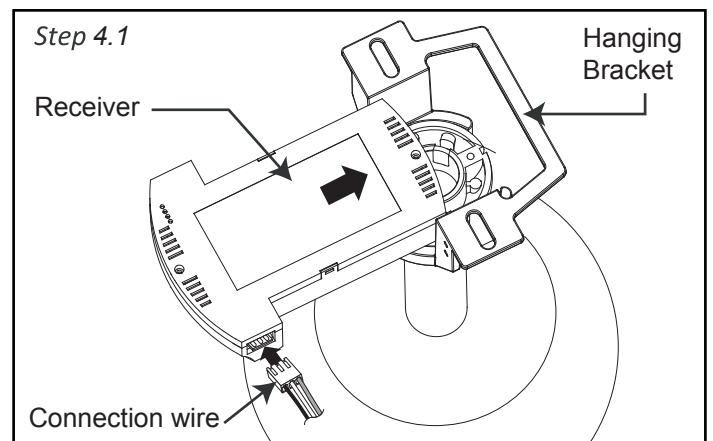
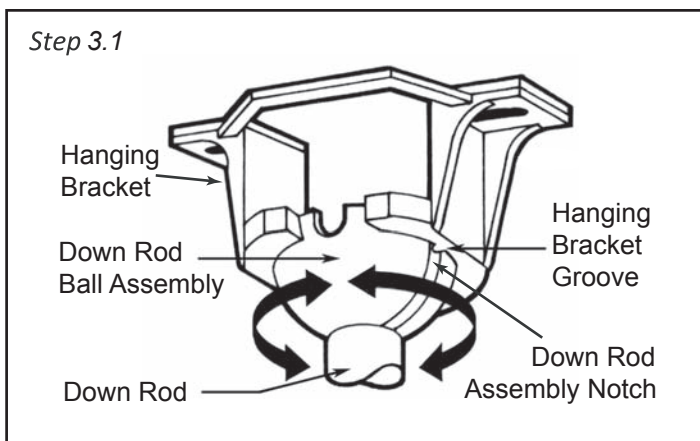


Step 3 Hanging Fan Body

Using a step ladder carefully lift the fan and seat the down rod ball assembly on the hanging bracket. Rotate fan so that down rod ball assembly notch engages with the hanging bracket groove. (See Step 3.1)

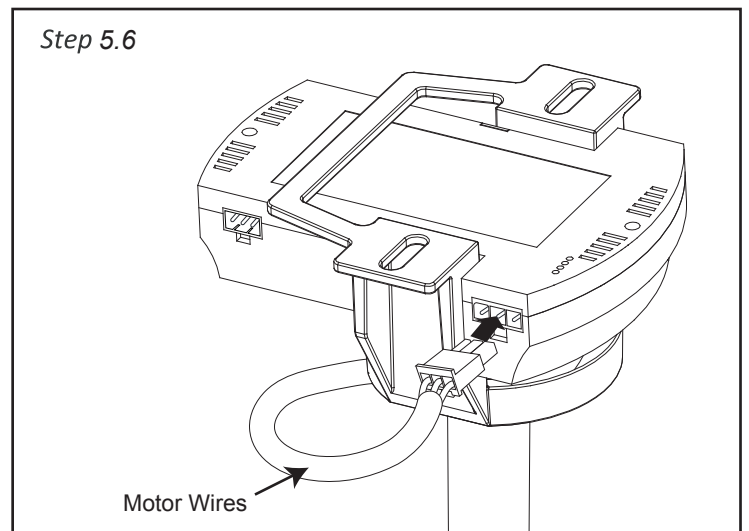
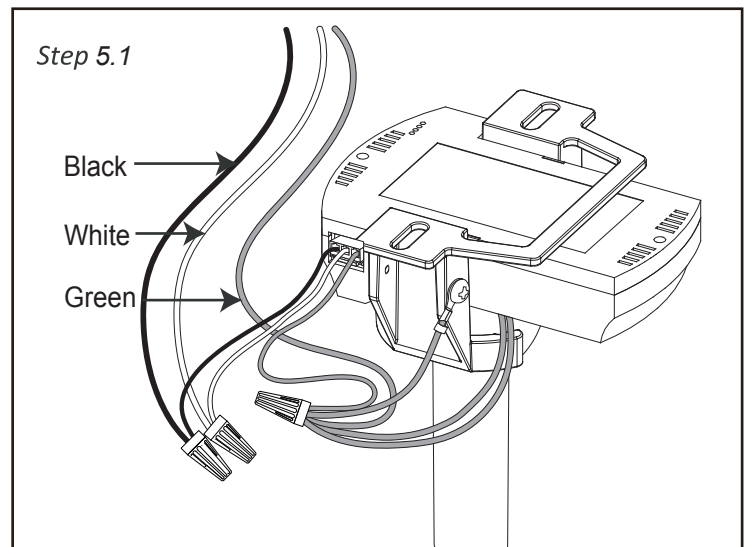
Step 4 Place receiver

1. Push the Receiver into the Hanging Bracket.
2. Insert Connection wire plug into the Receiver socket. (See Step 4.1)



Step 5 Making Electrical Connections

1. Attach the green wire from down rod ball and Connection wire, assembly to the green wire from hanging bracket to the ground wire in the outlet box. The ground wire is typically either an uninsulated (bare) copper wire or a green wire.
2. Attach the black wire from the ceiling fan to the black wire in the outlet box.
3. Attach the white wire from the ceiling fan to the white wire in the outlet box.
4. Each of the above connections should be made using the proper size plastic wire nuts.
5. Carefully push the connected wires into the electrical outlet box.
6. Insert the motor wires plug (3 pins) and the light wires plug (2 pins) into the socket of the receiver.



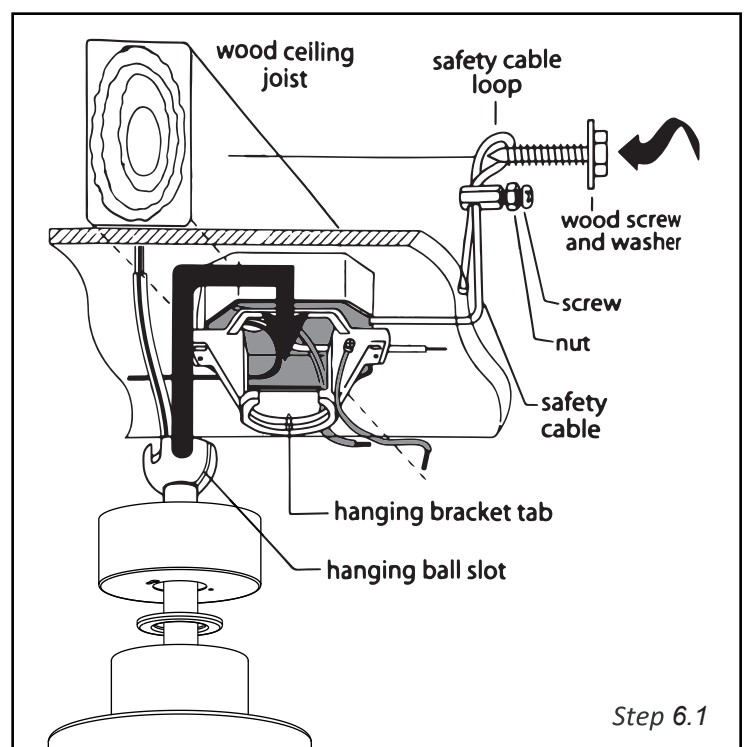
Step 6 Safety Wire Installation

With the hanging bracket secured to the outlet box and able to support the fan, you are now ready to hang your fan. Grab the fan firmly with two hands. Slide downrod through opening in hanging bracket and let hanging ball rest on the hanging bracket. Turn the hanging ball slot until it lines up with the hanging bracket tab.

⚠ WARNING: Failure to align slot in hanging ball with tab in hanging bracket may result in serious injury or death.

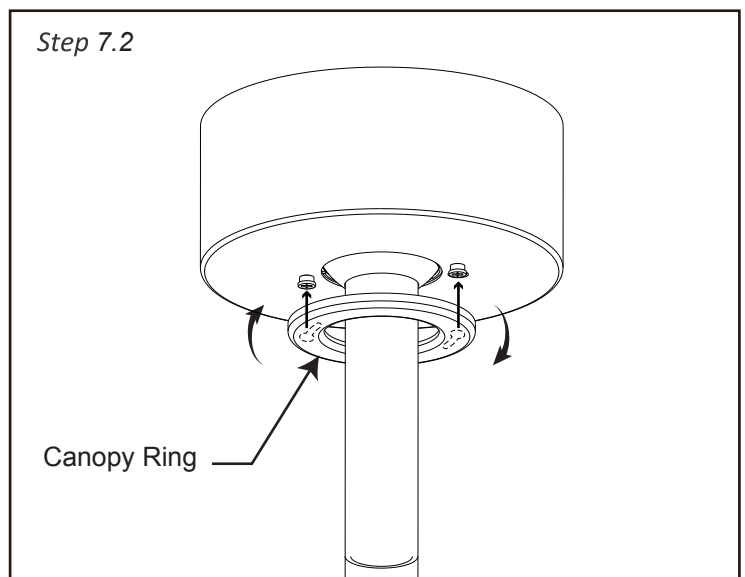
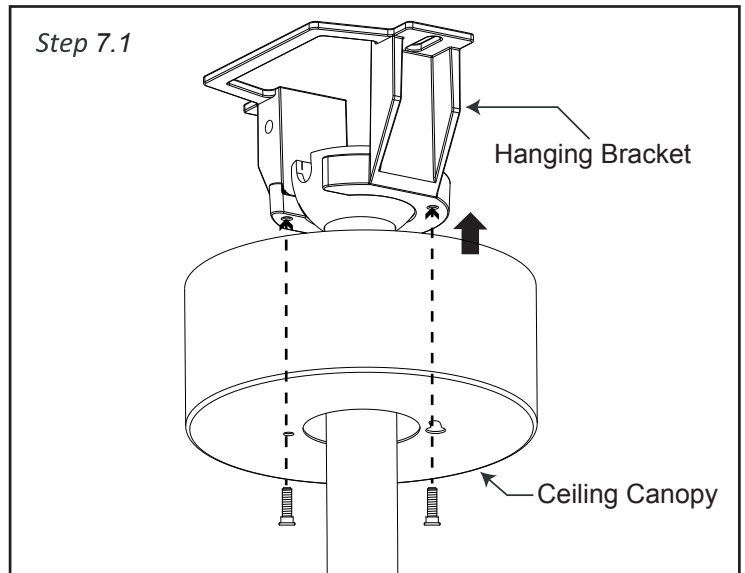
Tip: Seek the help of another person to hold the stepladder in place and to help lift the fan up to you once you are set on the ladder.

Find a secure attachment point (wood ceiling joist highly recommended) and secure safety cable. It will be necessary to use a heavy duty wood screw, washer and lock washer (not supplied) with the safety cable loop. If necessary, adjust the loop at the end of the safety cable. The loop at the end of the safety cable should just fit over the threads on the wood screw. Test safety cable by pulling on loose end of cable with pliers. If the safety cable slips, the loop must be adjusted tighter. Extra cable slack can be left in ceiling area.



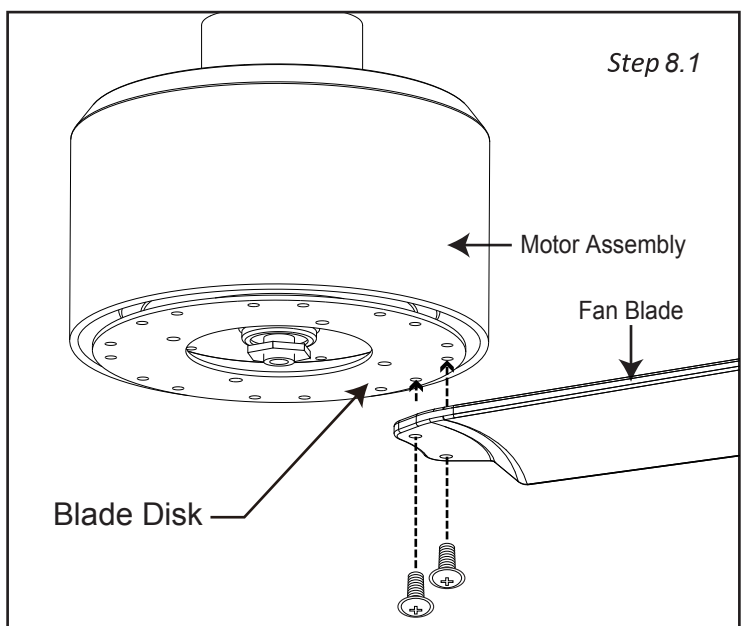
Step 7 Canopy Installation

1. Align the screw holes on the bottom of Hanging Bracket and the Ceiling Canopy, put in the screws and tighten them.(See Step 7.1)
2. Cover the screw head with the slot in the Canopy ring, and rotate the Canopy ring to tighten it.(see Step 7.2)



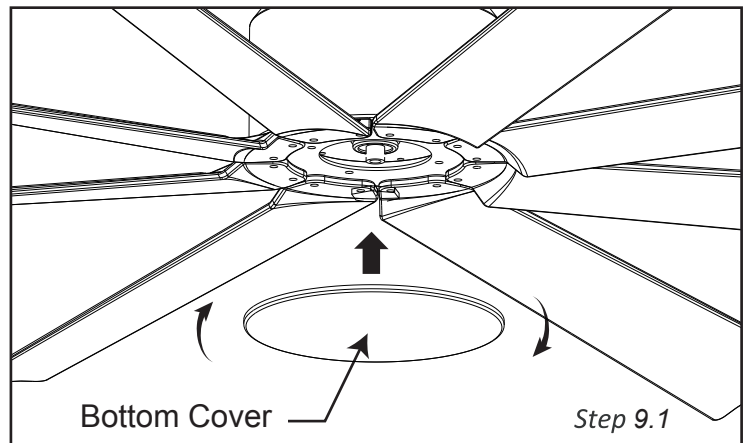
Step 8 Fan Blade Installation

1. Align the screw holes on the Blade Disk and the blades.
2. Insert blade screws(2 per blade) with fingers.
3. Tighten securely with a Phillips screwdriver. Repeat for the remaining blades.



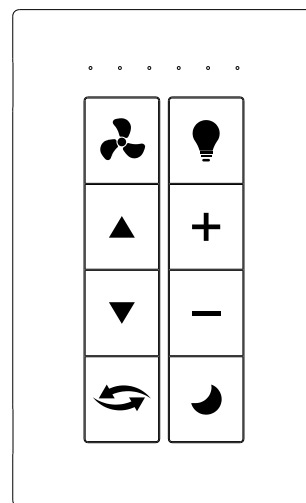
Step 9 Bottom Cover Installation

Rotate the bottom cover until it is tightened.



Remote Control Function:

- Turn on/off fan
- Fan Speed (1 - 6)
- Forward/Reverse, turn anti-clockwise or clockwise rotation
- Turn on/off light
- Switch the brightness of the light
- Switch to the lowest light brightness.



The Remote Control & Receiver is incorporated with last memory function. This function stores your last setting in memory and the next time you turn on the fan, fan will operate as the last setting.

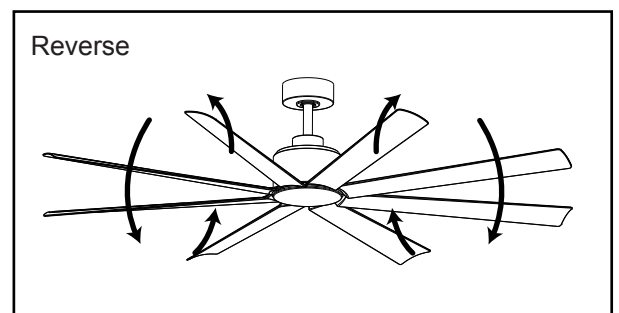
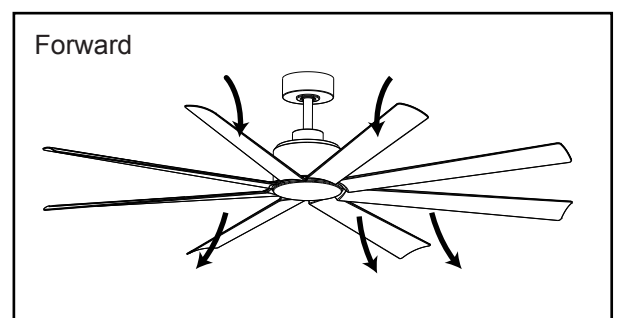
Function of Forward & Reverse:

Fan must be turned on and rotating.

Press Forward/Reverse button and fan will slow down and then change direction (approx. 15 sec).

When the fan is slowing down to change direction, the Fan Speed function is disabled until direction has been changed.

- **Forward**
Fan rotates anti-clockwise blowing the air downwards creating the wind chill effect.
Suitable for hot weather condition
- **Reverse**
Fan rotates clockwise drawing the air towards the ceiling circulating the warm air downwards.
This function works best at low speed.
Suitable for air-conditioned condition.



Trouble shooting Guide:

If you have difficulty operating your new ceiling fan it may be the result of incorrect assembly, installation, or wiring. In some cases these installation errors may be mistaken for defects. If you experience any faults please check this troubleshooting guide.

Problem

Suggested Remedy:

1. If fan does not start :

1. Check main and branch circuit fuses or circuit breakers.
2. Check line wire connections to fan and switch wire connections in switch housing.
CAUTION: Make sure main power is turned off.
3. Make sure forward/reverse switch is firmly in up or down position. Fan will not operate when switch is in the middle.
4. Make sure that the wall controller is turned "ON".

2. If fan sounds noisy :

1. Make sure all screws in motor housing are snug (not over tightened).
2. Make sure the screws which attach the fan blade holder to the motor are tight.
3. Make sure wire nut connectors in switch housing are not rattling against each other or against the interior wall of the switch housing.
CAUTION: Make sure main power is turned off before entering switch housing.
4. If using an optional ceiling fan light kit check to be sure the screws securing the glass shade are tight. Check to be sure the light bulb is tight on the socket and not touching the glass shade.
5. Some fan motors are sensitive to signals from solid state variable speed controls. DO NOT USE a solid state variable speed control.
6. Your ceiling fan's "break in" period is 24 hours of operation. Most noises associated with a new fan will disappear after this period.

All blades are weighed and grouped by weight. Natural woods vary in density which could cause the fan to wobble even though all blades are weight-matched. The following procedures should eliminate most of the wobble. Check for wobble after each step.

3. If fan wobbles :

1. Check that all blades are screwed firmly into blade holders.
2. Check that all blade holders are tightened securely to motor.
3. Make sure that canopy and mounting bracket are tightened securely to ceiling outlet box and outlet box is mounted firmly to ceiling joist.
4. Most fan wobble problems are caused when blade levels are unequal. Check this level by selecting a point on the ceiling above the tip of one of the blades keeping measure within 1/8 in. Rotate the fan until the next blade is positioned for measurement. Repeat for each blade. If all blade levels are not equal you can adjust blade levels by the following procedure. To adjust a blade tip down insert a washer (not supplied) between the blade and blade holder at the screw closest to the motor. To adjust a blade tip up insert washer (not supplied) between the blade and blade holder at the two screws farthest from the motor.
5. If blade wobble is still noticeable interchanging two adjacent (side by side) blades can redistribute the weight and possibly result in smoother operation.

4. If light does not work :

1. Check blue wire from fan to make sure it is connected to hot wire from the house.
2. Check for loose or disconnected wires in fan switch housing.
3. Check for loose or disconnected wires in light kit.
4. Check for faulty light bulbs.
CAUTION: Make sure main power is turned off before entering switch housing.
5. If the fan light shuts off shortly after being switched on it may be due to excessive current demand. Turn off power to the fan and replace the light bulbs with lower wattage bulbs. Turn on power to the fan using the pull chain, wall switch, or remote control (whichever is installed on the particular fan).