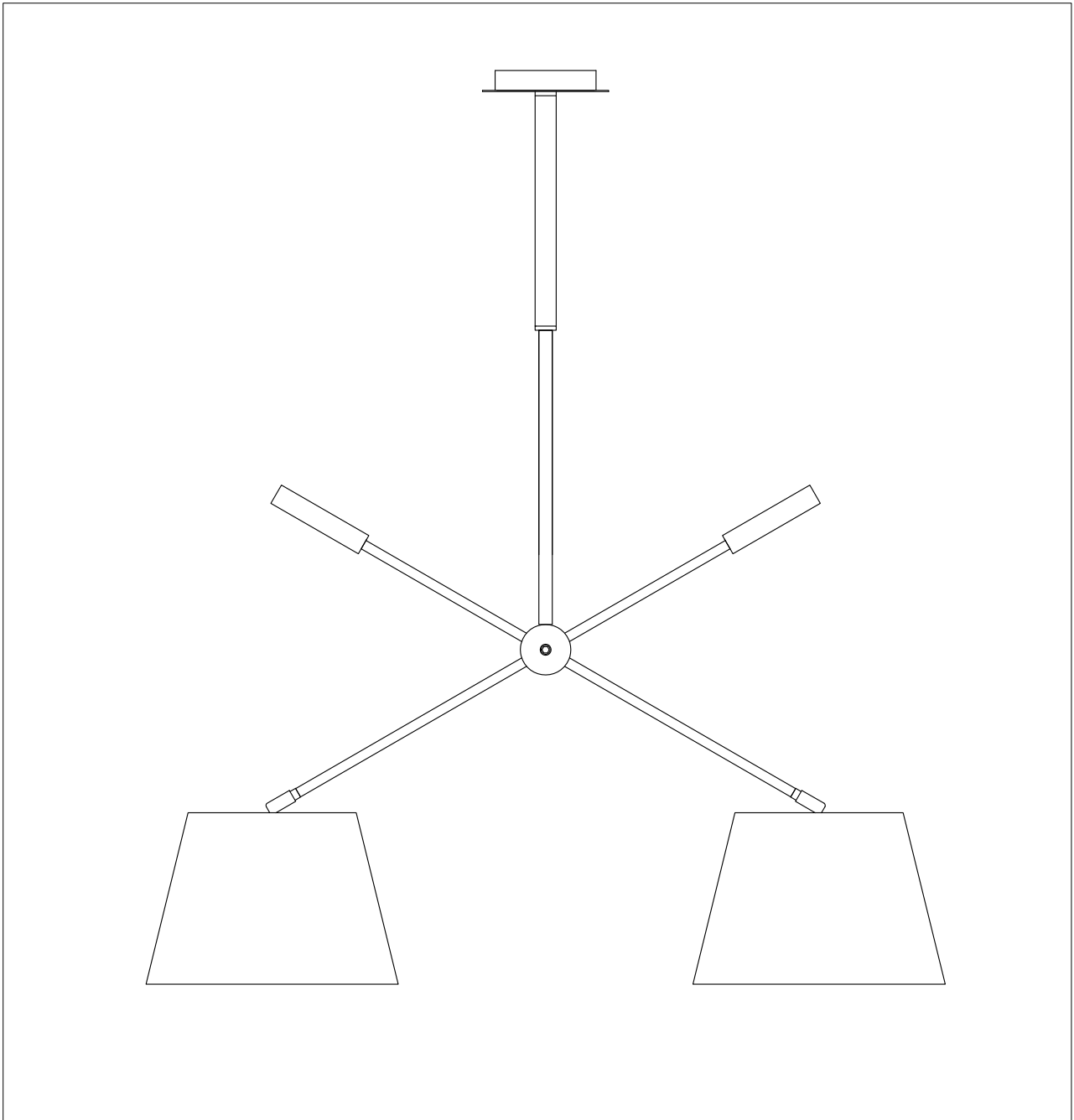




PRODUCT NAME: HOTEL  
ITEM NUMBER: 60144WAPC

Please consult your electrician for hanging fixture and wiring.

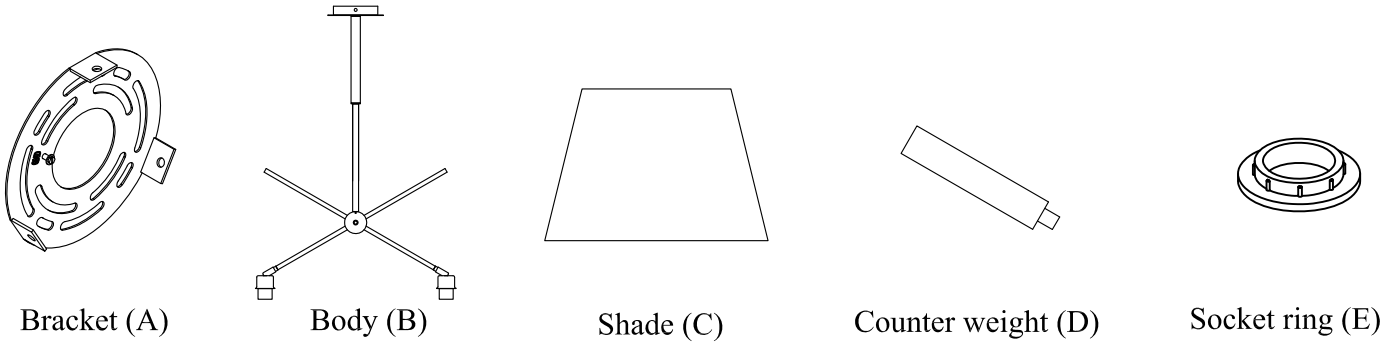


E26 1X16W

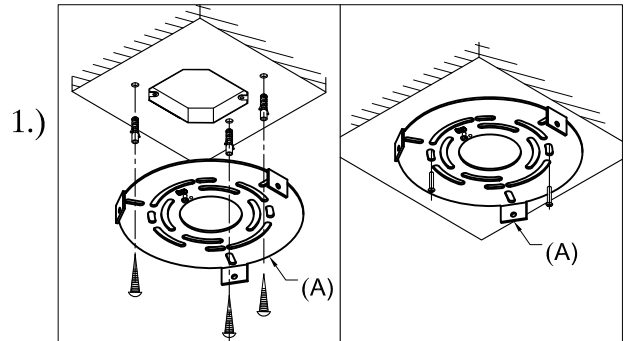
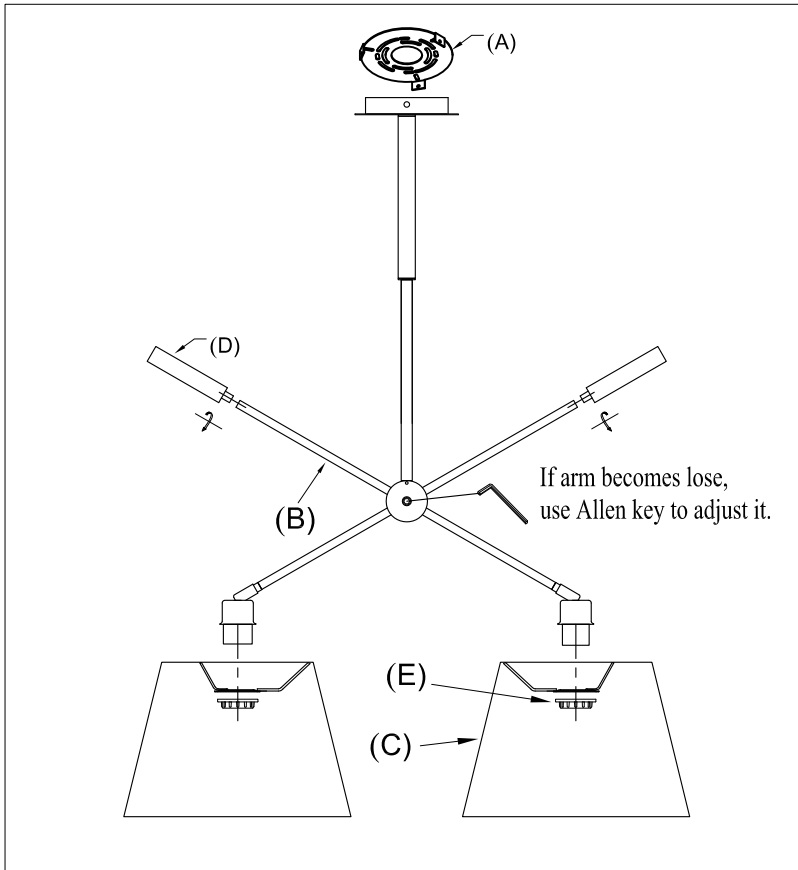
PRODUCTS ARE NOT INTENDED  
FOR COMMERCIAL USE.

MADE IN CHINA  
Page 1 of (2)

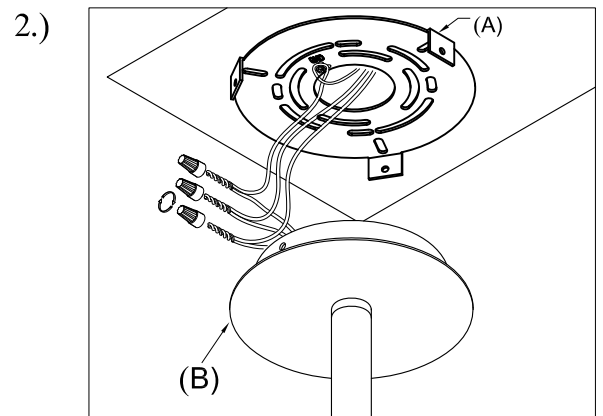
**IMPORTANT:** Turn off the power at the main fuse or circuit breaker box before starting installation



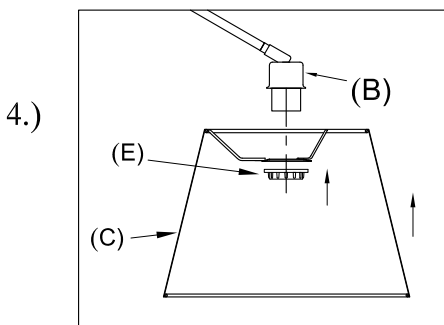
Locate all hardware & components before discarding packaging



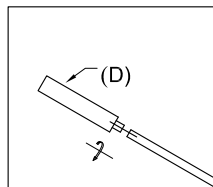
1.) Remove mounting bracket (A) from fixture and install to the ceiling, then install to electrical box.



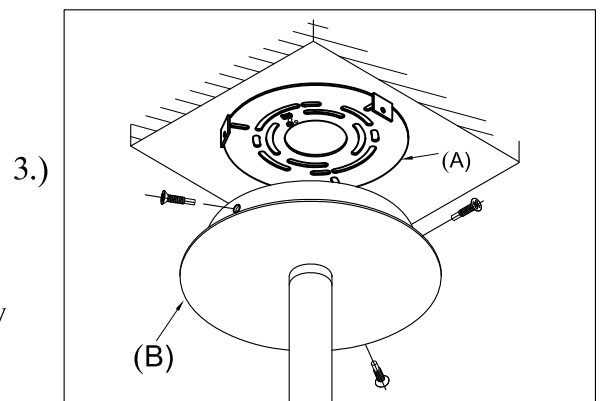
2.) Wire fixture to wires in outlet box. Copper wire is for ground



4.) Remove the socket ring (E) from fixture (B). Attach shade (C) and secure using socket ring (E).



5.) Thread the counter weight (D) to the body (B).



3.) Attach the body (B) to the mounting bracket (A) using three screws provided.

**Cleaning & Care:**

Clean with soft cloth and a mild detergent.  
Do not use abrasive cleaner.