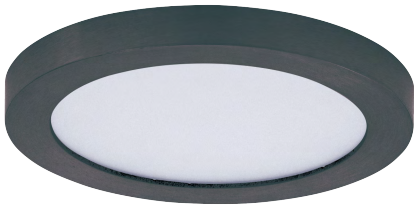


CHIP | FLUSH MOUNT

57690 | 57692 | **57694** | 57695 | 57696 | 57697 | 57698 | 57699

- Size options: 5," 6.5," 7," 9," 12" and 16"
- Available in 3000K (Made-to-order Color Temperatures available)
- Suitable for Closets according to NEC Section 410.8 & 410.16
- Available in Black (BK), Satin Nickel (SN) and White (WT)
- Dimmable with Triac and ELV Dimmers
- Pendant light accessory available (sold separately)
- Easy to install: fits in 3-0 and 4-0 Outlet Box (pancake and mud ring acceptable)
- Edge-Lit LED Technology
- Suitable for Wet Location, for use on ceilings outdoor and above showers
- IP54 Rating

Job Name : _____
 Job Type : _____
 Quantity : _____
 Comments : _____



Round



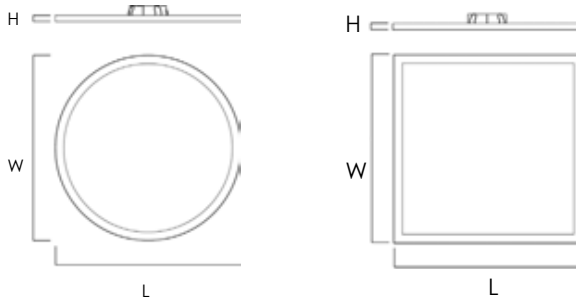
Square



57600
PENDANT ACCESSORY
 (Sold Separately,
 Fixture NOT included)

PRODUCT DESCRIPTION

This low profile flush mount is our entry level Wafer. Manufactured of a plastic shell with aluminum backing, the Chip brings all the look of the Wafer at economical pricing for residential applications. The bright and even lighting effect is delivered by edge-lit technology offering an upscale surface mount solution to substitute recessed can lighting. Use the optional pendant adapter to convert any size to a hanging fixture.



MEASUREMENTS

| MODEL | DIMENSION |
|----------|--------------------------|
| 57690 RD | 5.25"W x 0.75"H x 5.25"L |
| 57692 RD | 7"W x 0.75"H x 7"L |
| 57694 RD | 9" W x 0.75" H x 9"L |
| 57696 RD | 12' W x 1" H x 12"L |
| 57698 RD | 16" W x 1" H x 16"L |
| 57695 SQ | 5"W x 0.75"H x 5"L |
| 57697 SQ | 6.4"W x 0.75"H x 6.4"L |
| 57699 SQ | 8.5" W x 0.75" H x 8.5"L |

LAMPING

| BULB TYPE | CRI | COL TEMP. | LUMENS DEL | DIMMABLE | INPUT |
|------------------------|-----|-----------|------------|--------------|-------|
| 12W PCB Integrated LED | 90+ | 3000K | 750 | Triac CL/ELV | 120V |
| 16W PCB Integrated LED | 90+ | 3000K | 1100 | Triac CL/ELV | 120V |
| 18W PCB Integrated LED | 90+ | 3000K | 1250 | Triac CL/ELV | 120V |
| 22W PCB Integrated LED | 90+ | 3000K | 1750 | Triac CL/ELV | 120V |
| 32W PCB Integrated LED | 90+ | 3000K | 2400 | Triac CL/ELV | 120V |
| 12W PCB Integrated LED | 90+ | 3000K | 900 | Triac CL/ELV | 120V |
| 15W PCB Integrated LED | 90+ | 3000K | 1050 | Triac CL/ELV | 120V |
| 18W PCB Integrated LED | 90+ | 3000K | 1250 | Triac CL/ELV | 120V |

FINISHES OPTIONS:

- Satin Nickel (SN) 
- White (WT) 
- Black (BK) 

MATERIAL:

Polycarbonate + Steel

GLASS:

White

AVAILABLE SIZE:

5" | 6.5" | 7" | 9" | 12" | 16"

RATINGS:

- cETLus
- Wet Location
- Title 24 JA8 Compliant
- Energy Star
- ADA



ADDITIONAL:

INSTALL UP/DOWN: UP
 RATED LIFE: 50,000 hours
 OPERATING TEMPERATURE:
 -20°C (-4°F), 40°C (104°F)
 WIRE LENGTH 8"L

Always consult a qualified electrician before installing any lighting product



WESTERN DISTRIBUTION CENTER (HEADQUARTER)

253 NORTH VINELAND AVE | CITY OF INDUSTRY, CA 91746

EASTERN DISTRIBUTION CENTER

101 GARDNER PARK | PEACHTREE CITY, GA 30269

P. 626.956.4200 | F. 626.956.4225 | maximlighting.com