



PRODUCT DESCRIPTION

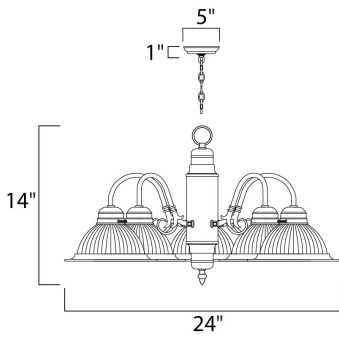
Maxim Lighting's commitment to both the residential lighting and the home building industries will assure you a product line focused on your basic lighting needs. With the Builder Basics collection you will find quality lighting that is well designed, well priced and readily available.

MEASUREMENTS

DIMENSION : 24" W x 14" H
 MAX OAH : 50" OAH
 CANOPY : 5" W x 1" H x 5" L
 HANGING WEIGHT : 9.26 lb

LAMPING

INPUT VOLTAGE : 120V
 LUMENS : 5,750 Rated
 BULB : 5 x 60W Incandescent E26 Medium , 300W Total
 BULB INCLUDED : (Not Included)
 DIMMABLE : Yes
 COLOR_TEMP : 2700K



FINISHES OPTION

-  Country Stone
-  Polished Brass
-  Satin Nickel
-  Textured White

GLASS

Clear CL

MATERIAL

Iron

RATINGS

Dry Location



ADDITIONAL

RATED LIFE 2500 Hours
 OPERATING TEMPERATURE:
 -20°C (-4°F), 40°C (104°F)

Always consult a qualified electrician before installing any lighting product.



WESTERN DISTRIBUTION CENTER (HEADQUARTER)
 253 NORTH VINELAND AVE | CITY OF INDUSTRY, CA 91746
EASTERN DISTRIBUTION CENTER
 4200 SHIRLEY DR. | ATLANTA, GA 30336
 P. 626.956.4200 | F. 626.956.4225 | maximlighting.com