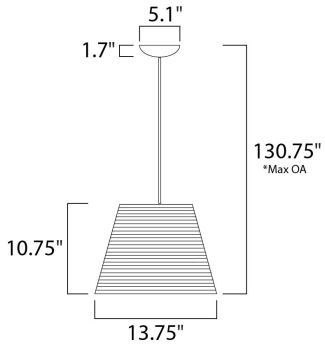




**PRODUCT DESCRIPTION**

The Java collection meets the demand for handmade, unique objects, fueled by "The Made Movement" in home fashion that merges artisanal techniques with the raw beauty of recycled and repurposed materials. Each shade is handcrafted of recycled corrugated paper in a Java finish, with alternating opaque and translucent layers, through which beautiful light patterns are casted.



\*max overall height

**MEASUREMENTS**

- DIMENSION : 13.75" L x 13.75" W x 10.75" H
- MAX OAH : 130.75" OAH
- CANOPY : 5.1" W x 1.7" H x 5.1" L
- HANGING WEIGHT : 1.75 lb

**LAMPING**

- INPUT VOLTAGE : 120V
- LUMENS : 0 Rated
- BULB : 1 x 60W Incandescent E26 Medium , 60W Total
- BULB INCLUDED : (Not Included)
- DIMMABLE : Standard Dimmer

**FINISHES OPTION**



**MATERIAL**

Recycled Cardboard + Steel

**RATINGS**

Dry Location



**ADDITIONAL**

OPERATING TEMPERATURE:  
-20°C (-4°F), 40°C (104°F)

Always consult a qualified electrician before installing any lighting product.



**WESTERN DISTRIBUTION CENTER (HEADQUARTER)**  
253 NORTH VINELAND AVE | CITY OF INDUSTRY, CA 91746  
**EASTERN DISTRIBUTION CENTER**  
4200 SHIRLEY DR. | ATLANTA, GA 30336  
P. 626.956.4200 | F. 626.956.4225 | maximlighting.com