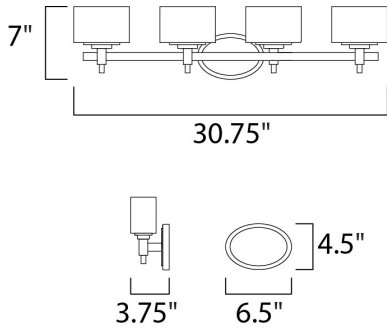




PRODUCT DESCRIPTION

The soft round curves of this design are evident in every detail. The use of xenon allows for a profile that is delicate in scale. The Lola collection is available in Polished Nickel finish with Satin White glass or Oil Rubbed Bronze finish with Dusty White glass.





MEASUREMENTS

DIMENSION : 30.75" W x 7" H x 3.75" Ext
 BACK PLATE : 6.5" W x 4.5" H x 5" HCO
 HANGING WEIGHT : 7.01 lb

LAMPING

LUMENS : 3,200 Rated
 BULB : 4 x 40W Xenon G9 , 160W Total
 BULB INCLUDED : (Included)
 DIMMABLE : Yes
 COLOR_TEMP : 2900K

FINISHES OPTION

-  Oil Rubbed Bronze
-  Polished Nickel

GLASS

Dusty White DW

MATERIAL

Steel + Glass

RATINGS

cETLus
 Damp Location
 ADA



ADDITIONAL

INSTALL UP/DOWN: Up
 RATED LIFE 2000 Hours
 OPERATING TEMPERATURE:
 -20°C (-4°F), 40°C (104°F)

Always consult a qualified electrician before installing any lighting product.



WESTERN DISTRIBUTION CENTER (HEADQUARTER)
 253 NORTH VINELAND AVE | CITY OF INDUSTRY, CA 91746

EASTERN DISTRIBUTION CENTER
 4200 SHIRLEY DR. | ATLANTA, GA 30336

P. 626.956.4200 | F. 626.956.4225 | maximlighting.com