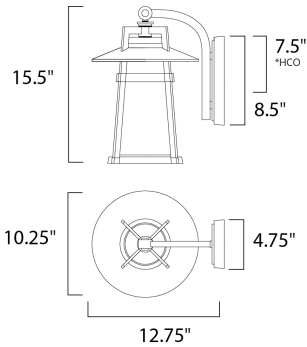




**PRODUCT DESCRIPTION**

Classic, contemporary style of Die Cast aluminum finished in Adobe features an integral hood and Satin White conical shade, which help cast light in a downward direction. Illumination provided by long life and energy efficient LED.



\*height of fixture from top of fixture to center of the outlet

**MEASUREMENTS**

DIMENSION : 10.25" W x 15.5" H x 12.75" Ext  
 BACK PLATE : 4.75" W x 8.5" H x 7.5" HCO  
 HANGING WEIGHT : 5.58 lb

**LAMPING**

INPUT VOLTAGE : 120V  
 LUMENS : 720 Rated  
 BULB : 1 x 8W LED PCB Integrated , 8W Total  
 BULB INCLUDED : (Integrated)  
 DIMMABLE : Triac CL  
 CRI : 90+ CRI  
 COLOR\_TEMP : 3000K

**FINISHES OPTION**

 Adobe

**GLASS**

Satin White SW

**MATERIAL**

Die Cast Aluminum + Glass

**RATINGS**

cETLus  
 Wet Location  
 For Outdoor



**ADDITIONAL**

RATED LIFE 35000 Hours  
 OPERATING TEMPERATURE:  
 -20°C (-4°F), 40°C (104°F)

PHOTOMETRIC: Report Found Online

Always consult a qualified electrician before installing any lighting product.



**WESTERN DISTRIBUTION CENTER (HEADQUARTER)**  
 253 NORTH VINELAND AVE | CITY OF INDUSTRY, CA 91746  
**EASTERN DISTRIBUTION CENTER**  
 4200 SHIRLEY DR. | ATLANTA, GA 30336  
 P. 626.956.4200 | F. 626.956.4225 | maximlighting.com