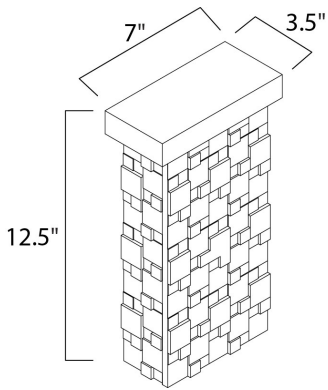


PRODUCT DESCRIPTION

Blocks of extruded Aluminum are brushed in a contemporary design and highlighted by energy efficient LED that wash the face with light. Additional LED is enclosed inside to provide exceptional downlight.



MEASUREMENTS

DIMENSION : 7" W x 12.5" H x 3.5" Ext
 MAX OAH :
 HANGING WEIGHT : 5.5 lb

LAMPING

INPUT VOLTAGE : 120V
 LUMENS : 1,260 Rated
 BULB : 12+6W LED PCB Integrated , 18W Total
 BULB INCLUDED : (Integrated)
 DIMMABLE : Triac CL
 CRI : 80+ CRI
 COLOR_TEMP : 3000K

FINISHES OPTION

 Brushed Aluminum

MATERIAL

ALUMINUM

RATINGS

Wet Location
 ADA



ADDITIONAL

OPERATING TEMPERATURE:
 -20°C (-4°F), 40°C (104°F)

Always consult a qualified electrician before installing any lighting product.



WESTERN DISTRIBUTION CENTER (HEADQUARTER)
 253 NORTH VINELAND AVE | CITY OF INDUSTRY, CA 91746

EASTERN DISTRIBUTION CENTER
 4200 SHIRLEY DR. | ATLANTA, GA 30336

P. 626.956.4200 | F. 626.956.4225 | maximlighting.com