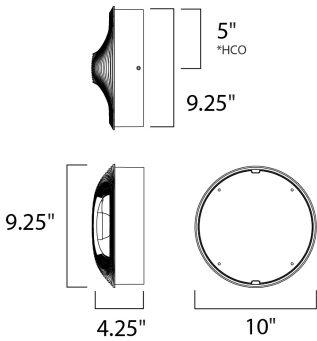


PRODUCT DESCRIPTION

Suitable for both Indoor and Outdoor applications, the Influx series features a step detail that pulses out from the center of the Die Cast Aluminum structure. Bright rays of LED light create a shadow effect that is projected onto either the wall or ceiling, accentuating the lamp's unique form.



*height of fixture from top of fixture to center of the outlet



MEASUREMENTS

- DIMENSION : 10" W x 10" H x 4.25" Ext
- BACK PLATE : 9.25" W x 4.25" H x 5" HCO
- CANOPY : 9.25" W x 4.25" H x 9.25" L
- HANGING WEIGHT : 4.73 lb

LAMPING

- INPUT VOLTAGE : 120V
- LUMENS : 770 Rated
- BULB : 1 x 11W LED AC Integrated , 11W Total
- BULB INCLUDED : (Integrated)
- DIMMABLE : NO
- CRI : 90+ CRI
- COLOR_TEMP : 3000K

FINISHES OPTION

-  Architectural Bronze
-  White

MATERIAL

DIE CAST ALUMINUM

RATINGS

cETLus
Wet Location



ADDITIONAL

INSTALL UP/DOWN: All
OPERATING TEMPERATURE:
-20°C (-4°F), 40°C (104°F)

Always consult a qualified electrician before installing any lighting product.



WESTERN DISTRIBUTION CENTER (HEADQUARTER)
253 NORTH VINELAND AVE | CITY OF INDUSTRY, CA 91746

EASTERN DISTRIBUTION CENTER
4200 SHIRLEY DR. | ATLANTA, GA 30336

P. 626.956.4200 | F. 626.956.4225 | maximlighting.com