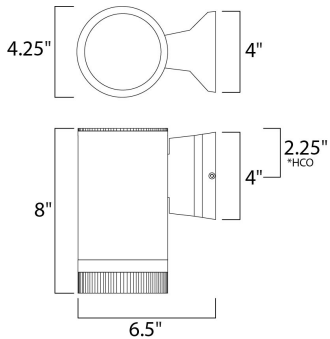




**PRODUCT DESCRIPTION**

Indirect exterior lighting not only provides illumination where you want but it also highlights the building structure for a beautiful architectural effect. Our collection of up and down lighting fixtures are available in both Architectural Bronze and Brushed Aluminum.



\*height from center of outlet to the top of the fixture

**MEASUREMENTS**

DIMENSION : 4.25" W x 8" H x 6.5" Ext  
 BACK PLATE : 4" W x 4" H x 2.25" HCO  
 HANGING WEIGHT : 2.65 lb

**LAMPING**

INPUT VOLTAGE : 120V  
 LUMENS : 700 Rated (384 Del.)  
 BULB : 1 x 10W LED PCB Integrated , 10W Total  
 BULB INCLUDED : (Integrated)  
 DIMMABLE : Triac CL  
 CRI : 80+ CRI  
 COLOR\_TEMP : 3000K

**FINISHES OPTION**

-  Architectural Bronze
-  Brushed Aluminum

**MATERIAL**

Die Cast Aluminum

**RATINGS**

Wet Location  
 For Outdoor



**ADDITIONAL**

INSTALL UP/DOWN: Down  
 OPERATING TEMPERATURE:  
 -20°C (-4°F), 40°C (104°F)

PHOTOMETRIC: Report Found Online

Always consult a qualified electrician before installing any lighting product.



**WESTERN DISTRIBUTION CENTER (HEADQUARTER)**  
 253 NORTH VINELAND AVE | CITY OF INDUSTRY, CA 91746  
**EASTERN DISTRIBUTION CENTER**  
 4200 SHIRLEY DR. | ATLANTA, GA 30336  
 P. 626.956.4200 | F. 626.956.4225 | maximlighting.com